

ADCATHERM STEAM TO WATER HEATING SYSTEMS

GENERAL

The AdcaTherm series offers several solutions for water heating in a safe and efficient way, from compact instant production systems to semi-instantaneous and storage systems.
Either for room heating, consumption water or process water, Valsteam ADCA will always have a solution for you.

DESCRIPTIONS

PWHU – Packaged Water Heating Units

Complete system conceived for instant production of heated water using steam as primary fluid. Ready to work, just needs the connections to the respective fluids.
This system is ideal whenever there is enough energy available for instant heating.

MAIN FEATURES

Rust free, hot water available (using austenitic stainless steel design).
Ready and easy to install, saves design and assembly time, as well as floor space.
Installation and commissioning time reduction.

WAVE – Water Heating Vessel

Especially suitable for the production of consumable hot water, domestic or industrial. The required amount of steam for instantaneous heating may not be available at all times. In these cases, it's necessary to install a buffer tank (semi-instantaneous system) or even a storage tank (storage system).

MAIN FEATURES

Ready and easy to install, saves design and assembly time.
Installation and commissioning time reduction.
Extra water for peak periods, reducing the need for extra boiler power. The system can be designed for the amount of energy available, not compromising the remaining process.

OPTIONS: Different types of materials and designs available, according to the application, see ADPWHU.07.5871.

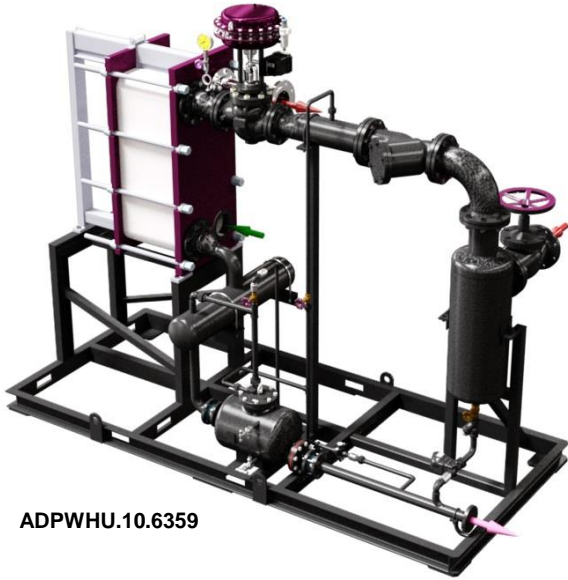
USE: Steam, water, hot condensate and other fluids compatible with the construction.

AVAILABLE MODELS: PWHU, WAVE-P (packaged) AND WAVE-S (split system).

ORDER

REQUIREMENTS: Type of application.
Flow rates or detailed description of intended use (number of baths in a set period of time, for instance).
Inlet and outlet temperatures.
Types of fluids and corresponding pressures.
Power (output) or information that can allow its determination.
Room available for installation and other limiting conditions, if any.

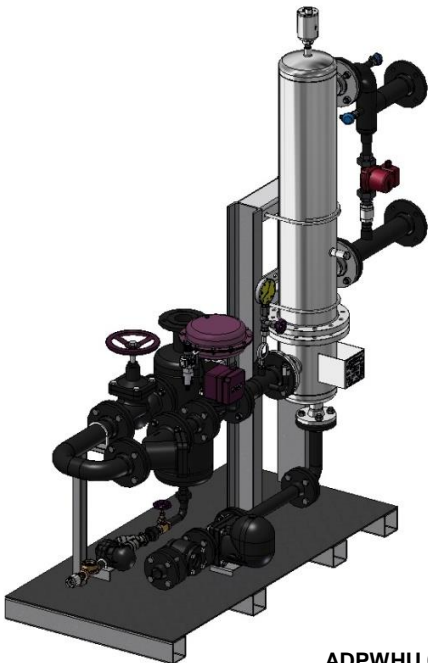
Some examples of an extensive range of AdcaTherm skids already manufactured



ADPWHU.10.6359



ADPWHU.12.6371



ADPWHU.01.2439

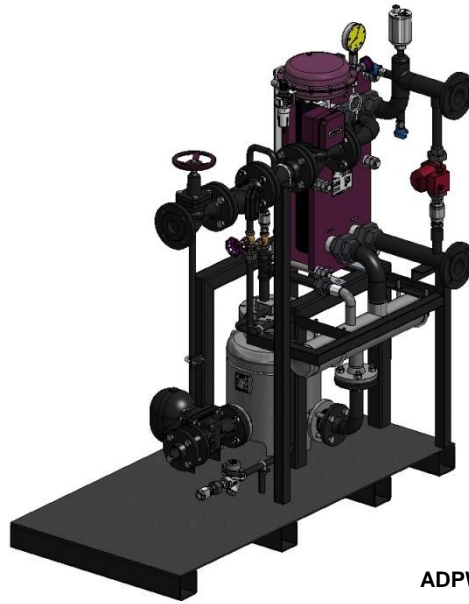


ADPWHU.11.6370

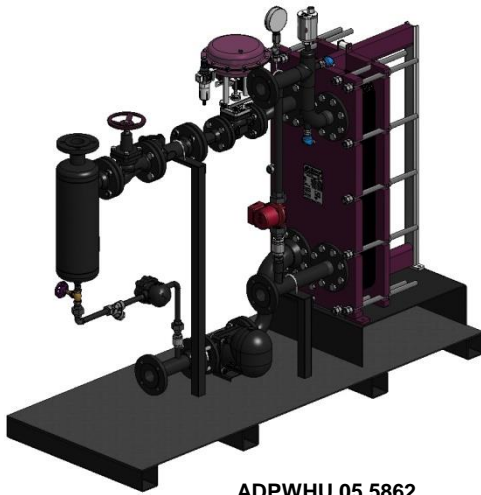




ADPWHU.03.5857



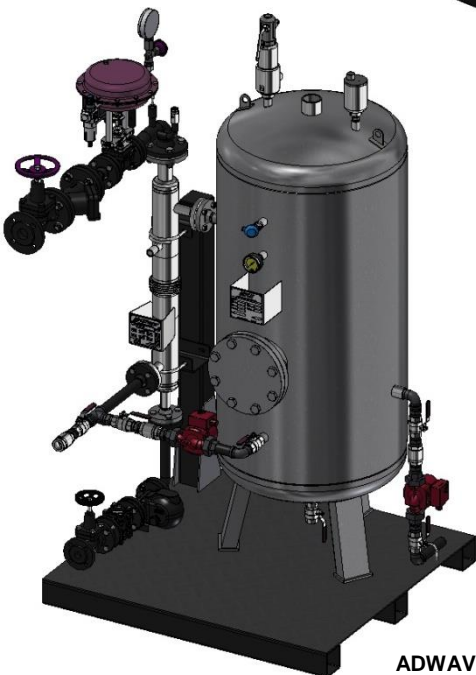
ADPWU.06.5870



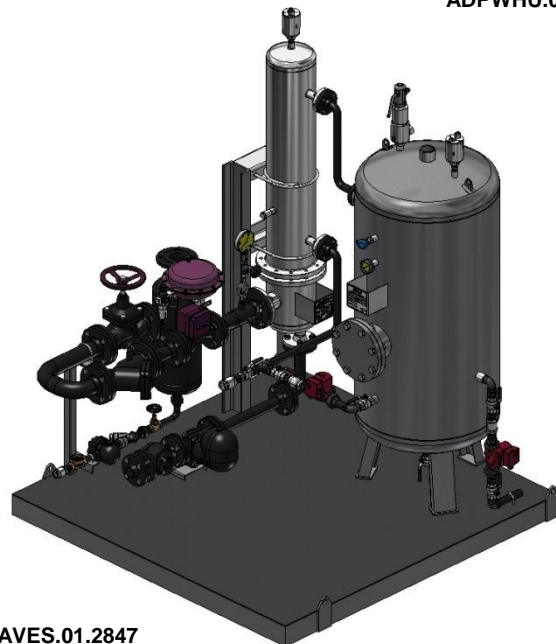
ADPWHU.05.5862



ADPWHU.04.5858



ADWAVEP.02.2848



ADWAVES.01.2847

