

## BIMETALLIC STEAM TRAPS AND AIR ELIMINATORS BM20 (1/2" – 1"; DN 15 – 25)

### DESCRIPTION

BM20 series bimetallic steam traps and air eliminators are simple and robust traps, recommended for steam process applications where condensate sensible heat can be recovered, steam tracing lines, drip points, storage tank coils, steam air venting, etc. The use of condensate sensible heat reduces steam consumption.

Connections are female screwed or flanged.

### MAIN FEATURES

- Modulating discharge.
- Discharges condensate below steam temperature.
- Excellent air discharge.
- Operates on superheated steam.
- Unaffected by water hammer and vibrations.
- Built-in strainer.

- OPTIONS:** Blowdown valve.
- USE:** Saturated and superheated steam.
- AVAILABLE MODELS:** BM20.
- SIZES:** 1/2" to 1"; DN 15 to DN 25.
- CONNECTIONS:** Female screwed ISO 7/1 Rp (BS21).  
Flanged EN1092-1 PN40 or ANSI.
- INSTALLATION:** Horizontal installation recommended, can be installed in any position.  
See IMI – Installation and maintenance instructions.



CE MARKING – GROUP 2 (PED – European Directive)	
<b>PN40</b>	<b>Category</b>
DN 15 to DN 25	SEP

BODY LIMITING CONDITIONS		
FLANGED PN40 / ANSI 300 lb *	FLANGED ANSI 150 lb **	RELATED TEMP.
ALLOW. PRESS.	ALLOW. PRESS.	
40 bar	19,3 bar	50 °C
35 bar	15,8 bar	150 °C
30,4 bar	12,1 bar	250 °C
27,6 bar	10,2 bar	300 °C

PMO – Max. operating pressure 17 bar;  
TMO – Max. operating temperature 250 °C;

\* According to EN1092-1:2018; \*\* Acc. to EN1759-1:2004;

Body limiting conditions PN40 or below, depending on the type of connection adopted;

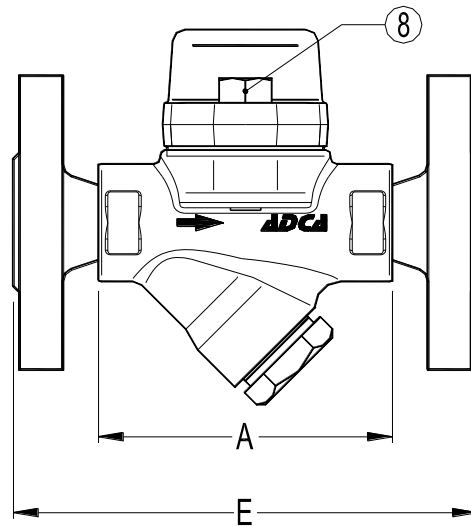
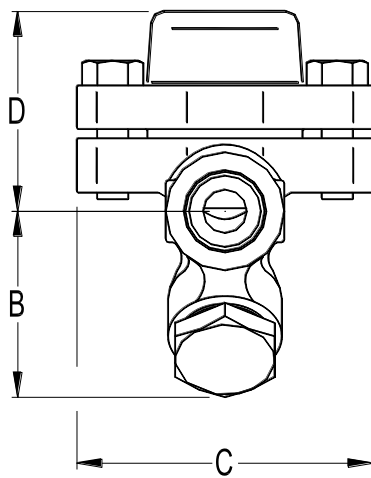
Rating PN40 for thread, SW and BW.

FLOW RATE CAPACITY (kg/h)											
MODEL	SIZE	DIFFERENTIAL PRESSURE (bar)									
		0,5	1	2	4	6	8	10	12	14	17
<b>BM20</b>	<b>1/2" to 1" A DN 15 – 25 A</b>	125	200	320	410	445	485	500	540	580	600
<b>BM20</b>	<b>1/2" to 1" B DN 15 – 25 B</b>	450	700	1000	1220	1340	1450	1560	1650	1780	1850

A: Condensate discharge at 10 °C below saturation temperature; B: Cold water capacity around 20 °C.

DIMENSIONS (mm)											
Screwed and SW *						PN16/40		ANSI 150 lb		ANSI 300 lb	
Size	A	B	C	D	WGT. (kg)	E	WGT. (kg)	E	WGT. (kg)	E	WGT. (kg)
1/2" – DN 15	95	59	95	65	1,6	150	3,2	150	2,7	150	3,5
3/4" – DN 20	95	59	95	65	1,6	150	3,9	150	3,1	150	4,7
1" – DN 25	95	65	95	65	1,8	160	4,7	160	4,3	160	5,9

\* BW (butt weld) on request.



MATERIALS		
POS. Nº	DESIGNATION	MATERIAL
1	Body	P250GH / 1.0460
2	Cover	P250GH / 1.0460
3	* Gasket	Stainless steel / Graphite
4	* Valve assembly	Bimetal
5	* Strainer screen	AISI 304 / 1.4301
6	* Gasket	Stainless steel / Graphite
7	* Strainer cover	A 105 / 1.0432
8	Bolts	A2-70

\* Available spare parts.

