

BOLTED COVER BASKET STRAINERS ANSI B16.34 DESIGN

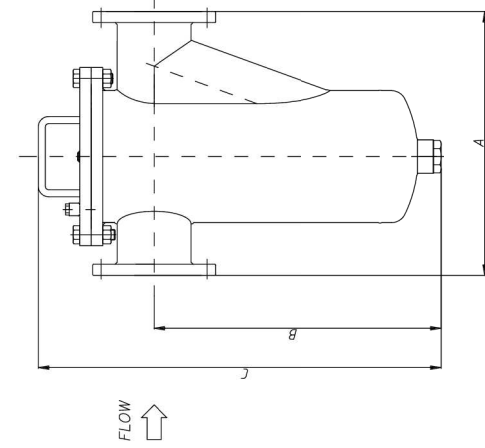
Class 150

FSBC Series

Sizes DN 50 to 400 Flanged 150 or DIN PN16

Materials

Description	Material Carbon Steel	Material Stainless Steel
Body	1.0570 (ST 52.3)	1.4401 (ANSI 316)
Cover	1.0421 (ST 52)	1.4401 (ANSI 316)
Strainer screen	1.4301	(ANSI 304)
Bolt	8.8	A2
Nut	8	A2
Cap Gasket	Synthetic Fiber	PTFE
Drain plug	1.0401 (C15)	1.4401 (ANSI 316)
Drain plug gasket	Synthetic fiber	PTFE



Carbon steel and alloy steel construction

Stainless steel construction

GENERAL DIMENSIONS

DN	A	B	C	DRAIN	VENT	REL. AREAS
50	300	340	545	1"	-	0.105.49
65	350	370	600	1"	-	0.104.33
80	375	409	671	1"	-	0.103.73
100	440	457	715	1"	-	0.103.31
125	525	580	785	1 1/2"	1/2"	0.102.61
150	600	670	915	1 1/2"	1/2"	0.102.83
200	800	810	1065	1 1/2"	1/2"	0.102.75
250	900	870	1225	2"	3/4"	0.102.67
300	950	930	1335	2"	3/4"	0.102.63
350	1050	1150	1575	2"	1"	0.102.60
400	1150	1180	1650	2"	1"	0.102.28

Dimensions in mm and weight in kg.
Weight and dimensions can be changed without notice.
Bigger sizes available under customer request.

QUICK OPENING BASKET STRAINERS ANSI B16.34 DESIGN

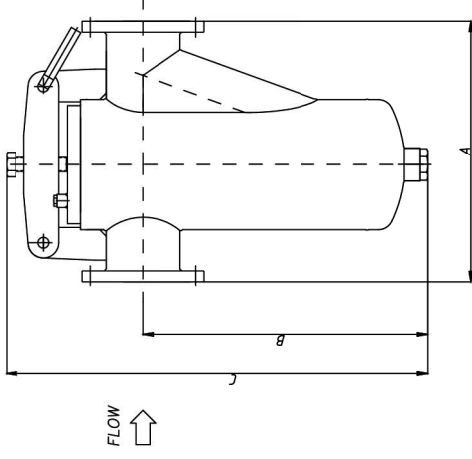
Class 150

FSQO Series

Sizes DN 50 to 400

Materials

Description	Material Carbon Steel	Material Stainless Steel
Body	1.0570 (ST 52.3)	1.4401 (ANSI 316)
Cover	1.0421 (ST 52)	1.4401 (ANSI 316)
Strainer screen	1.4301	(ANSI 304)
Bolt	8.8	A2
Nut	8	A2
Cap Gasket	Synthetic Fiber	PTFE
Drain plug	1.0401 (C15)	1.4401 (ANSI 316)
Drain plug gasket	Synthetic fiber	PTFE



Carbon steel and alloy steel construction

Stainless steel construction

GENERAL DIMENSIONS

DN	A	B	C	DRAIN	VENT	REL. AREAS
50	300	340	490	1"	-	0.105.49
65	350	370	550	1"	-	0.104.33
80	375	409	625	1"	-	0.103.73
100	440	457	685	1"	-	0.103.31
125	525	580	730	1 1/2"	1/2"	0.102.61
150	600	670	910	1 1/2"	1/2"	0.102.83
200	800	810	1080	1 1/2"	1/2"	0.102.75
250	900	870	1250	2"	3/4"	0.102.67
300	950	930	1360	2"	3/4"	0.102.63
350	1050	1150	1600	2"	1"	0.102.60
400	1150	1180	1680	2"	1"	0.102.28

Dimensions in mm and weight in kg.
Weight and dimensions can be changed without notice.
Bigger sizes available under customer request.