

COMPACT TRAPPING STATION CTS4U

(For use with universal swivel connector steam traps)

DESCRIPTION

The CTS4U is designed as a complete and compact steam trap station, to be used in steam systems where a simplified and economic maintenance program is desired. It has been designed to replace the traditional multi-component trap station systems.

Typical installations are drip service on steam lines, tracing and small process equipment.

Two bolt flange connector permits trap replacement in minutes without disturbing the piping.

The CTS4U trapping station fits all universal swivel connector steam traps.

Connections are female screwed or flanged on request.



MAIN FEATURES

Remains in-line permanently, making the replacing of new traps easier and quicker.

Universal steam traps can swivel 360°, allowing any pipe orientation during installation.

The universal flange allows the trap to be fitted in the correct position, regardless of pipeline configuration.

Built-in strainer and check valve.



OPTIONS: Spool piece double upstream isolation.
Blowdown valve (strainer cleaning).

USE: Saturated and superheated steam.

AVAILABLE

MODELS: CTS4U – Inlet and outlet isolation valve.
CTS4UD – With double inlet isolation valve.

SIZES: 1/2" to 1".
DN 15 to DN 25.

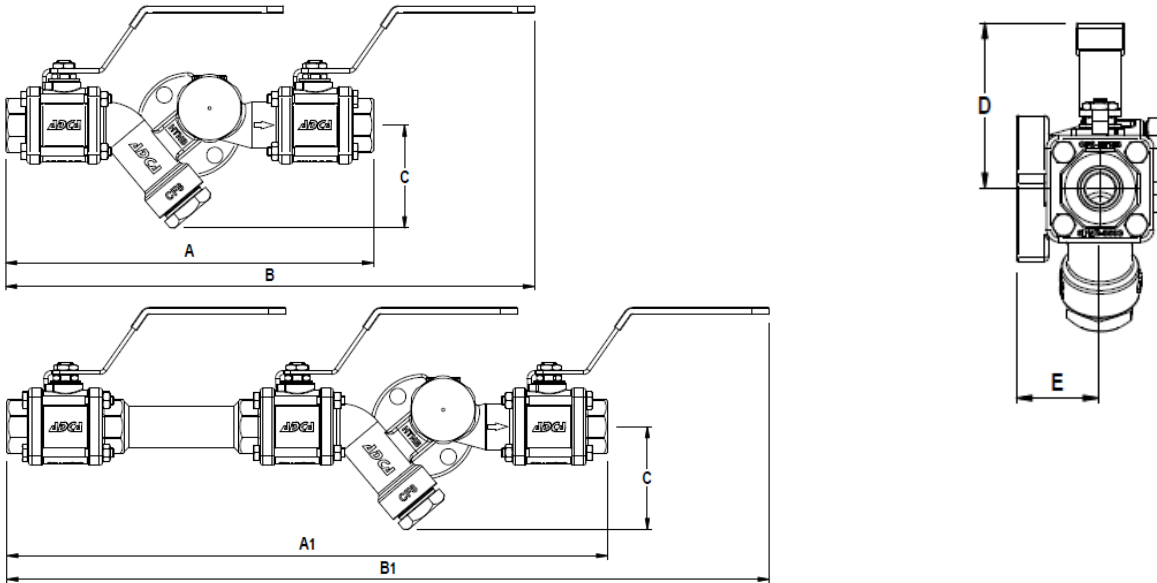
CONNECTIONS: Female screwed ISO 7/1 Rp (BS21).
Flanged EN 1092-1 or ANSI on request.

LIMITING CONDITIONS	
Body design conditions	PN40
Maximum pressure for saturated steam	17,5 bar
Maximum operating temperature	230 °C @ 10 bar
Minimum operating temperature	-10 °C



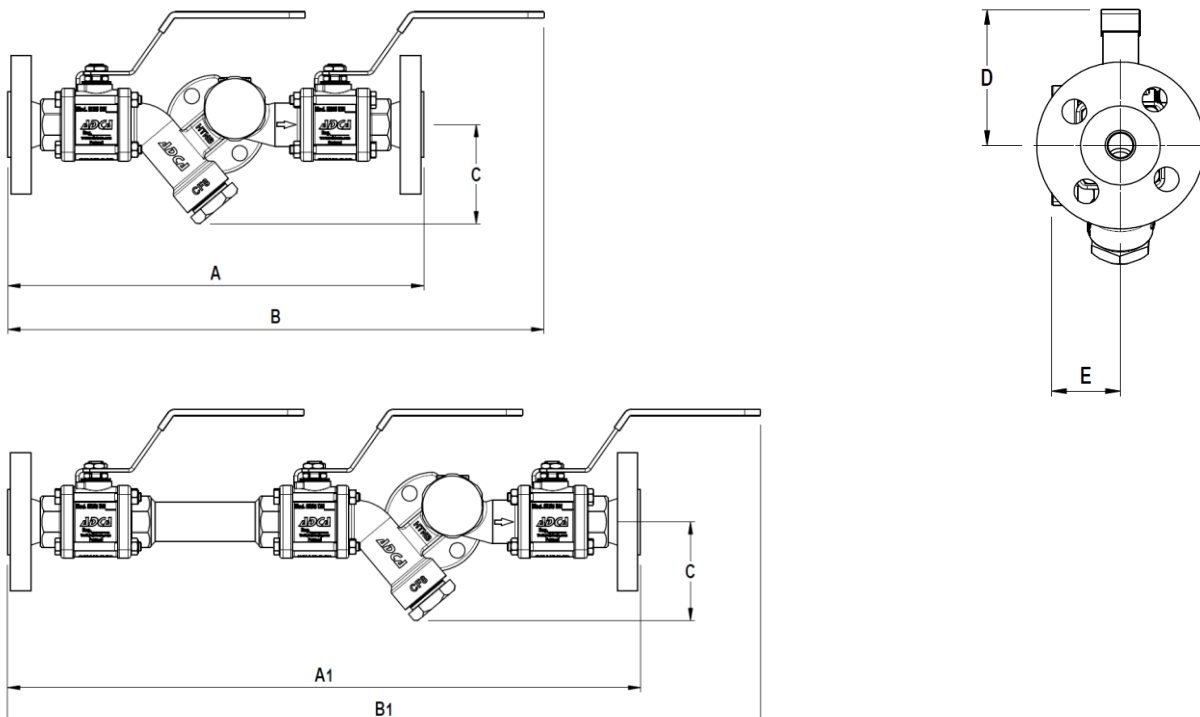
With double upstream isolation valve

DIMENSIONS (mm)									
Screwed									
SIZE	A	B	C	D	E	WGT. (kg)	A1	B1	WGT. (kg)
1/2" - DN 15	240	345	67	77	39	3	390	485	4
3/4" - DN 20	240	345	67	77	39	3	390	485	4



DIMENSIONS (mm)													
FLANGED													
SIZE	A PN40	A ANSI *	B PN40	B ANSI *	C	D	E	WGT. (kg)	A1 PN40	A1 ANSI *	B1 PN40	B1 ANSI *	WGT. (kg)
1/2" - DN 15	284	318	366	383	67	77	39	4,5	434	468	516	533	5,5
3/4" - DN 20	304	338	376	393	67	77	39	5,1	454	488	526	543	6,1
1" - DN 25	304	335	376	391	67	77	39	5,6	454	488	526	543	6,6

* ANSI flanges class 150 lb.



MATERIALS

POS. Nº	DESIGNATION	MATERIAL
1	Main valve body	CF8 / 1.4308
2	Ball valve body	CF8 / 1.4308
3	* Seat	PTFE/GR
4	* Valve ball	AISI 316 L / 1.4404
5	* Stem	AISI 316 L / 1.4404
6	* Stem seals	PTFE/GR
7	* Lock washers	AISI 304 / 1.4301
8	* Spring washers	AISI 304 / 1.4301
9	Stem nut	A2 – 70
10	Handle	AISI 304 / 1.4301 – Vinyl
11	Body seal	PTFE
12	Cap threaded	CF8 / 1.4308
	Cap flanged	CF8 / 1.4308 ; AISI 304 / 1.4301
13	Bolts	AISI 304 / 1.4301
14	Nuts	A2 – 70
15	* Strainer screen	AISI 304 / 1.4301
16	* Gasket	Stainless steel / Graphite
17	Strainer plug	AISI 304 / 1.4301
18	* Check valve seat	AISI 304 / 1.4301
19	* Check valve ball	AISI 304 / 1.4301
20	* Spring	AISI 302 / 1.4300
21	* Gasket	Stainless steel / Graphite
22	Check valve cover	AISI 304 / 1.4301

* Available spare parts.

