

## AIR AND GAS FLOAT TRAPS FA25.3 (SG iron 11/2" – 2"; DN 40 – 50)

### DESCRIPTION

The FA25.3 is a range of fully automatic ball float traps specially designed for condensate drainage in compressed air and gas systems. Typical applications include aftercoolers, separators and compressed air mains.

### MAIN FEATURES

Modulating discharge.  
Unaffected by sudden or wide load and pressure variations.  
Flow direction can be easily changed by repositioning the body in relation to the mechanism and cover.

**OPTIONS:** Equalizing (vent) and drain connections.  
BDV – Blowdown valve.  
AFZ – Anti-freeze device.  
FLL – Float lifting lever.

**USE:** Compressed air and other non corrosive gases compatible with the construction.

**AVAILABLE MODELS:** FA25.3-4,5 , 10 and 14 – SG iron.

**SIZES:** 11/2" to 2"; DN 40 to DN 50.

**CONNECTIONS:** Female threaded ISO 7 Rp or NPT.  
Flanged EN 1092-2 PN 16.  
Flanged ASME B16.42 Class 150.

**INSTALLATION:** Horizontal or vertical installation.

**MAX. ΔP:** FA25.3-4,5 – 4,5 bar  
FA25.3-10 – 10 bar  
FA25.3-14 – 14 bar



### CE MARKING – GROUP 2 (PED – European Directive)

PN 16	Category
11/2" to 2" – DN 40 to 50	SEP

BODY LIMITING CONDITIONS		
FLANGED PN 16 *	FLANGED CLASS 150 **	RELATED TEMP.
ALLOWABLE PRESSURE	ALLOWABLE PRESSURE	
16 bar	16 bar	100 °C
15,5 bar	14,8 bar	150 °C
14,7 bar	13,9 bar	200 °C
13,9 bar	12,1 bar	250 °C

PMO – Max. operating pressure: 14 bar.

TMO – Max. operating temperature: 198 °C.

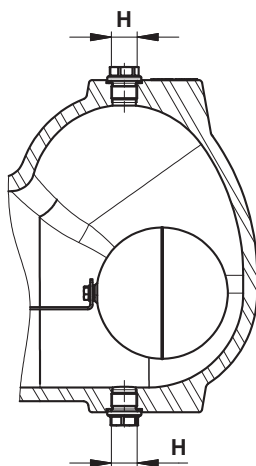
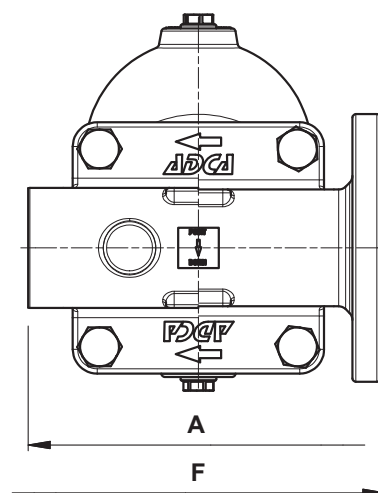
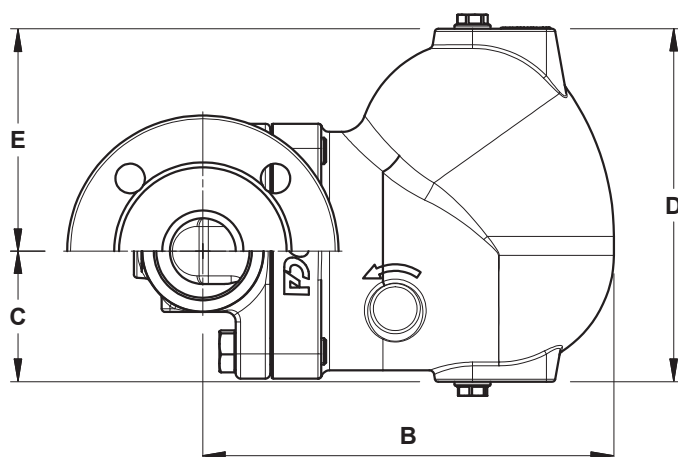
Min. liquid specific weight: 0,75 kg/dm<sup>3</sup>.

\* Acc. to EN 1092-2:2018; \*\* Acc. to ASME B16.42.

Body limiting conditions PN 16 or below, depending on the type of connection adopted. PN 16 for threaded version.

### FLOW RATE CAPACITY (kg/h)

MODEL	SIZE	DIFFERENTIAL PRESSURE (bar)								
		0,5	1	1,5	2	4,5	7	10	12	14
FA25.3-4,5	11/2" to 2" – DN 40 to 50	995	1450	1710	2000	2990	–	–	–	–
FA25.3-10	11/2" to 2" – DN 40 to 50	505	720	850	1010	1600	1890	2300	–	–
FA25.3-14	11/2" to 2" – DN 40 to 50	370	520	610	735	1150	1430	1620	1750	1980

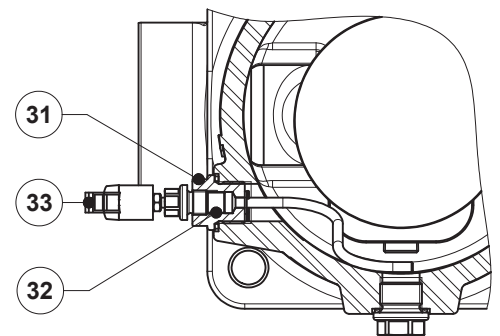
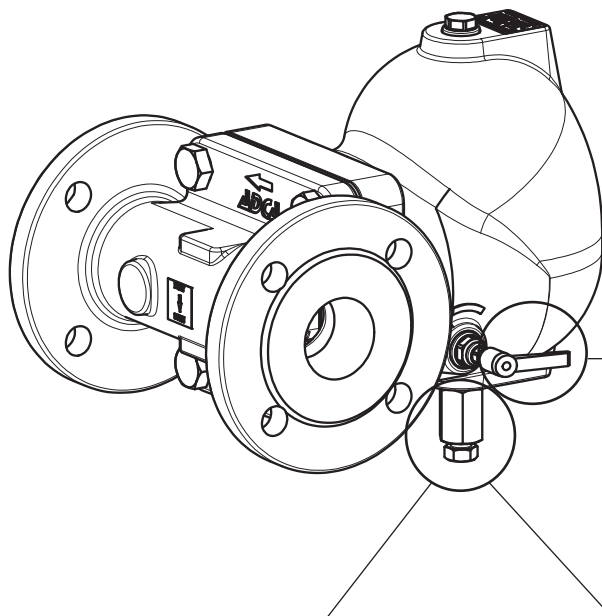
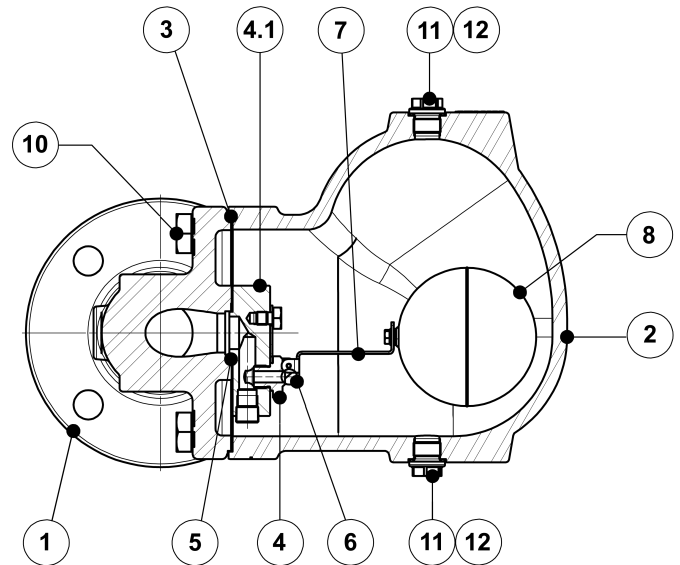


DIMENSIONS (mm)													
SIZE	THREADED / SW							PN 16			CLASS 150		
	A	B	C	D	E	H *	WEIGHT (kg)	F	B	WEIGHT (kg)	F	B	WEIGHT (kg)
1 1/2" – DN 40	210	250	80	215	136	3/8"	18,9	230	250	21,7	230	250	20,2
2" – DN 50	210	250	80	215	136	3/8"	18,2	230	250	23,6	230	250	21,5

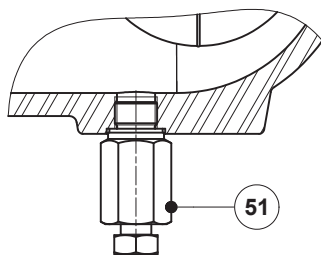
\* As standard, in versions with EN flanges and female ISO 7 Rp threads, these connections are female threaded ISO 228. In versions with ASME flanges, female NPT threads or SW, these connections are female threaded NPT.

MATERIALS		
POS. N°	DESIGNATION	MATERIAL
1	Body	GJS-400-15 / 0.7040
2	Cover	GJS-400-15 / 0.7040
3	* Gasket	Stainless steel / Graphite
4	* Seat	AISI 410 / 1.4006
4.1	Mounting plate	AISI 316 / 1.4401
5	* Gasket	Graphite
6	* Valve ball	AISI 440C / 1.4125
7	* Lever	AISI 304 / 1.4301
8	* Float	AISI 304 / 1.4301
10	Bolts	Zinc plated steel
11	Plug	AISI 316L / 1.4404
12	** Gasket	Copper; AISI 304 / 1.4301
31	Lever mechanism	AISI 303 / 1.4305 ; AISI 304 / 1.4301; AISI 316L / 1.4404
32	Packing	Graphite
33	Lever	Plastic
51	Blowdown valve	AISI 303 / 1.4305; AISI 316L / 1.4404
61	Anti-freeze device	AISI 303 / 1.4305; AISI 316L / 1.4404

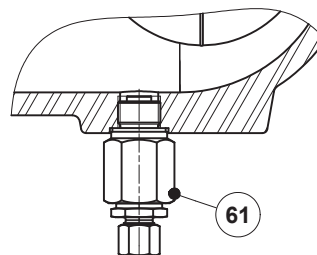
\* Available spare parts; \*\* Not applicable in NPT version.



FLL - Float lifting lever

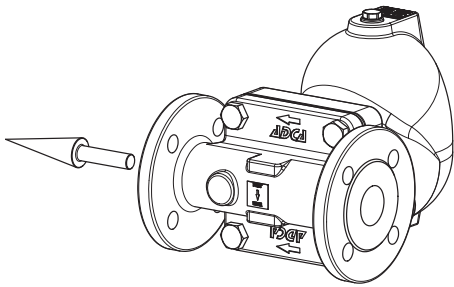


BDV - Blowdown valve  
(Manual)

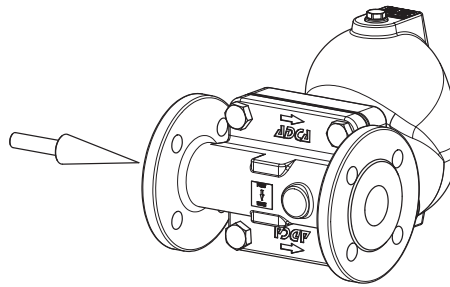


AFZ - Anti-freeze device  
(Automatic)

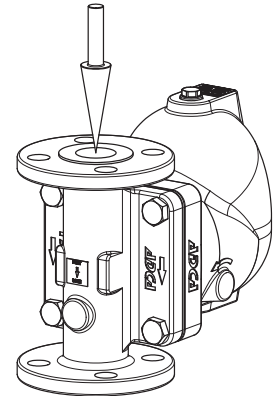
**FLOW DIRECTION**



*R - Horizontal from right to left*



*L - Horizontal from left to right*



*V - Vertical from top to bottom*

**ORDERING CODES FA25.3**

Model	FA253	2	M	XX	X	IR	A	40
FA25.3 – GJS-400-15 / 0.7040 SG iron	FA253							
<b>Differential pressure</b>								
4,5 bar		2						
10 bar		3						
14 bar		4						
<b>Valve sealing</b>								
Metal to metal			M					
<b>Cover connections</b>								
None				XX				
3/8" threaded connections on top and bottom, closed with plugs (mandatory if any options are considered)				10				
<b>Options</b>								
BDV and AFZ have specific separated ordering codes, please refer to the appropriate documentation.								
<b>FLL - Float lifting lever</b>								
None					X			
Lifting lever on the right side (when facing the steam trap body)					R			
Lifting lever on the left side (when facing the steam trap body)					L			
<b>Flow direction</b>								
Horizontal from right to left – standard						IR		
Horizontal from left to right						IL		
Vertical from top to bottom						IT		
<b>Pipe connections</b>								
Female threaded ISO 7 Rp							A	
Female threaded NPT							C	
Flanged EN 1092-2 PN 16							L	
Flanged ASME B16.42 Class 150							U	
<b>Size</b>								
11/2" or DN 40								40
2" or DN 50								50
<b>Special valves / Extras</b>								
Full description or additional codes have to be added in case of a non-standard combination								E