

## COMPRESSED AIR BALL FLOAT TRAPS FA16SS (Stainless steel)

### DESCRIPTION

The FA16SS series are fully automatic ball float traps, extremely compact in dimension and light in weight, specially designed for draining water from compressed air lines. Usual applications include aftercoolers, separators and compressed air mains.

### MAIN FEATURES

Corrosion resistant.  
Replaceable internal parts.  
Modulating discharge.  
Unaffected by sudden or wide load and pressure changes.

**OPTIONS:** Compression fitting.  
Hand purging knob.

**USE:** Compressed air and non corrosive gases compatible with the construction.

**AVAILABLE MODELS:** FA16SS.  
**SIZES:** 1/2" and 3/4".

**CONNECTIONS:** Female threaded ISO 7 Rp:  
Inlet 1/2" or 3/4" vertical (top to bottom).  
Outlet 1/2" vertical.

**INSTALLATION:** Vertical installation. It must be installed absolutely vertically at the points in the plant where the condensate tends to collect. The drain should be piped to a safe position. See IMI – Installation and maintenance instructions.



With hand purging knob (optional)

#### APPLICATION LIMITS

Min. liquid specific weight	0,75 kg/dm <sup>3</sup>
Maximum working diff. pressure	14 bar

#### CE MARKING – GROUP 2 (PED – European Directive)

PN16	Category
1/2" to 3/4"	SEP

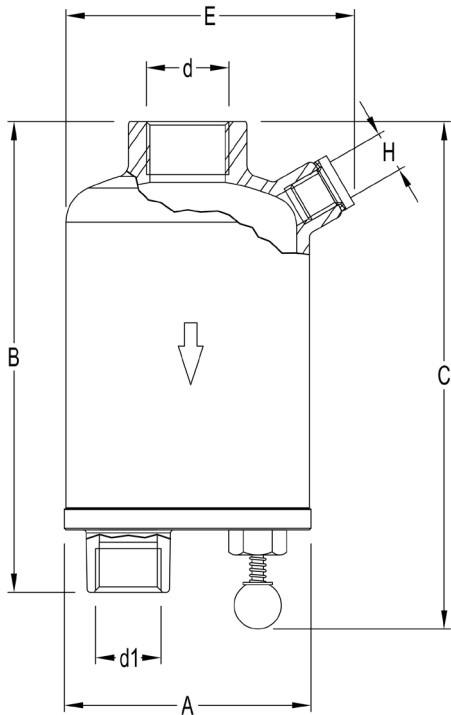
#### BODY LIMITING CONDITIONS

THREADED PN16 ALLOW. PRESS.	RELATED TEMPERATURE
16 bar	100 °C
14,5 bar	150 °C
13,4 bar	200 °C
12,7 bar	250 °C

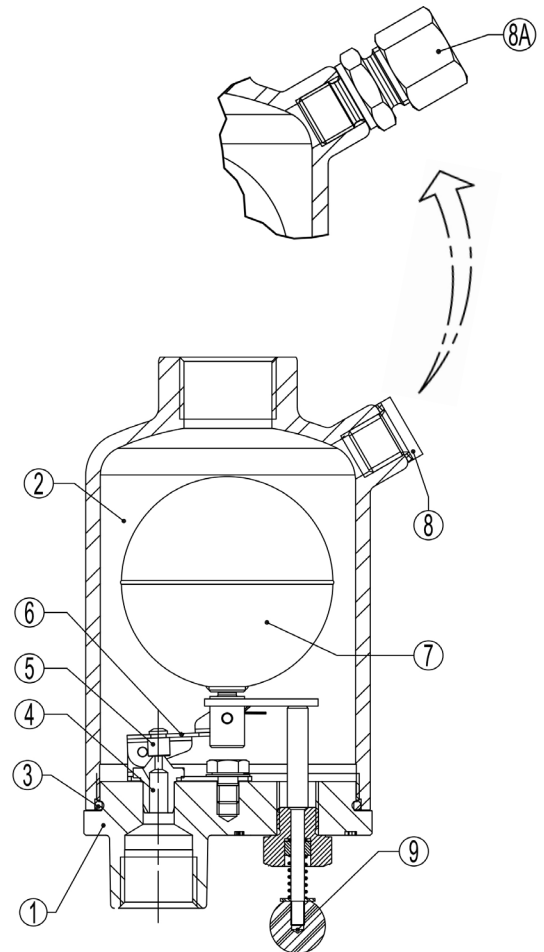
PMO – Max. operating press. 14 bar;  
TMO – Max. operating temp. 180 °C;

#### FLOW RATE CAPACITY (kg/h)

MODEL	SIZE	DIFFERENTIAL PRESSURE (bar)												
		0,5	1	1,5	2	3	4	6	7	8	9	10	12	14
FA16SS	1/2" to 3/4"	120	145	180	190	230	250	300	330	340	360	380	400	430



DIMENSIONS (mm)								
SIZE	d	d1	A	B	C	E	H	WGT. (kg)
1/2"	1/2"	1/2"	80	151	163	92	1/4"	1,6
3/4"	3/4"	1/2"	80	151	163	92	1/4"	1,6



MATERIALS		
POS. N°	DESIGNATION	MATERIAL
1	Body	CF8M / 1.4408; AISI 316 / 1.4401
2	Cover	CF8M / 1.4408; AISI 316 / 1.4401
3	* O-ring	NBR
4	* Seat	AISI 316 / 1.4401
5	* Valve	Viton
6	* Lever	AISI 304 / 1.4301
7	* Float	AISI 304 / 1.4301
8	Balance pipe connection	AISI 316 / 1.4401
8A	** Compression fitting	Stainless steel or Steel Fe/Zn
9	** Hand purging knob	AISI 304 / 1.4301

\* Available spare parts.

\*\* Optional, against extra price.

### TYPICAL INSTALLATION

