

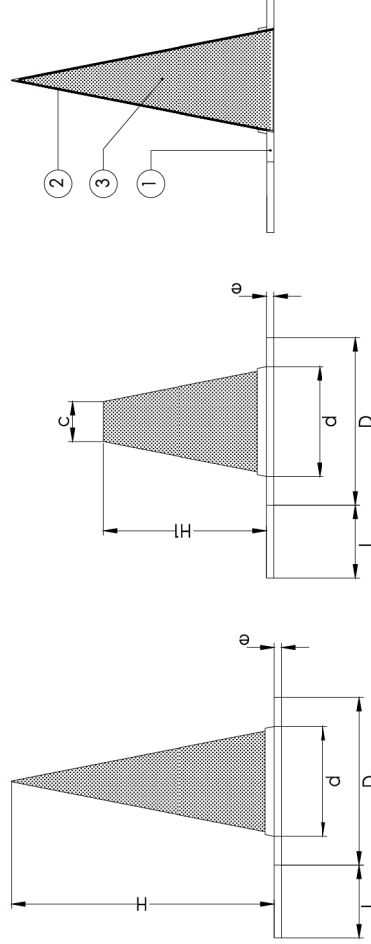
**CONICAL TEMPORARY STRAINER ANSI B16.34 DESIGN Class150/300/600 FC Series**

Sizes 1" to 24" for flanges 150/300/600#

**Materials**

| Item | Description      | Material                        |
|------|------------------|---------------------------------|
| 1    | Ring             | ASTM A105 / AISI 304 / AISI 316 |
| 2    | Perforated plate | AISI 304 / AISI 316             |
| 3    | Screen           | AISI 304 / AISI 316             |

\*\*Items 1,2 and 3 could be delivered in Monel, Hastelloy or Inconel (always under request).



Carbon steel and alloy steel construction

Stainless steel construction

**GENERAL DIMENSIONS**

| DN             | ØD  | Ød  | Øc  | e | H    | H1  | L       |         |
|----------------|-----|-----|-----|---|------|-----|---------|---------|
|                |     |     |     |   |      |     | 150 lbs | 600 lbs |
| 1" (DN 25)     | 51  | 22  | 20  | 3 | 80   | 60  | 100     | 110     |
| 1 1/4" (DN 32) | 64  | 30  | 20  | 3 | 90   | 70  | 100     | 110     |
| 1 1/2" (DN 40) | 73  | 35  | 20  | 3 | 100  | 80  | 100     | 110     |
| 2" (DN 50)     | 92  | 45  | 30  | 3 | 130  | 90  | 100     | 110     |
| 2 1/2" (DN 65) | 105 | 55  | 40  | 3 | 160  | 110 | 100     | 120     |
| 3" (DN 80)     | 127 | 72  | 55  | 3 | 200  | 140 | 120     | 140     |
| 4" (DN 100)    | 157 | 93  | 65  | 3 | 250  | 160 | 110     | 120     |
| 5" (DN 125)    | 185 | 118 | 80  | 3 | 300  | 180 | 120     | 140     |
| 6" (DN 150)    | 216 | 142 | 95  | 3 | 350  | 210 | 120     | 140     |
| 8" (DN 200)    | 270 | 190 | 120 | 3 | 450  | 270 | 120     | 150     |
| 10" (DN 250)   | 324 | 240 | 145 | 3 | 580  | 340 | 120     | 160     |
| 12" (DN 300)   | 381 | 295 | 165 | 5 | 700  | 440 | 130     | 160     |
| 14" (DN 350)   | 413 | 325 | 180 | 5 | 750  | 480 | 130     | 160     |
| 16" (DN 400)   | 470 | 375 | 210 | 5 | 850  | 550 | 130     | 160     |
| 18" (DN 450)   | 533 | 425 | 230 | 5 | 950  | 630 | 140     | 180     |
| 20" (DN 500)   | 584 | 475 | 260 | 5 | 1100 | 700 | 150     | 190     |
| 24" (DN 600)   | 692 | 575 | 310 | 5 | 1300 | 850 | 150     | 190     |

Dimensions in mm and weight in kg.  
Weight and dimensions can be changed without notice.  
Bigger sizes available under customer request.

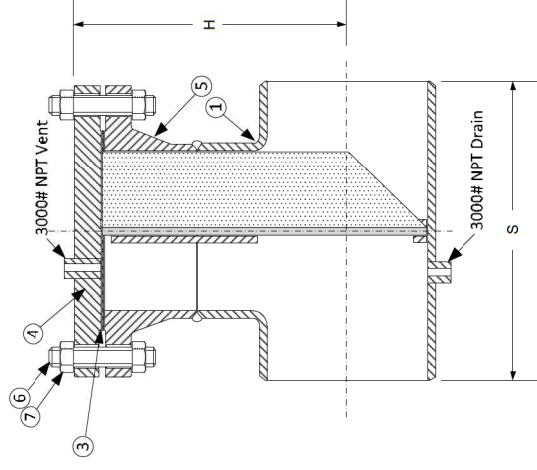
\*\*To be installed within flanges RF, FF, RTJ and ANSI.  
\*\*Ask for higher ratings.

**BOLTED COVER TEE STRAINER ANSI B16.34 DESIGN Class 150/300/600 FTBC Series**

Sizes 3" to 24"

**Materials**

| Item | Description      | Material           |
|------|------------------|--------------------|
| 1    | Body             | ASTM A234 WPB      |
| 2    | Screen           | ASTM A276 Type 304 |
| 3    | Gasket           | 304 + Graphite     |
| 4    | Cover            | ASTM A105 Gr II    |
| 5    | drain Plug       | ASTM A105 / 316    |
| 6    | Cover Bolts      | ASTM A193 GR.B7    |
| 7    | Cover Bolts Nuts | ASTM A194 GR.2H    |



Carbon steel and alloy steel construction

Stainless steel construction

**GENERAL DIMENSIONS**

| DN  | 150 lbs |     | 300 lbs |     | 600 lbs |     |
|-----|---------|-----|---------|-----|---------|-----|
|     | H       | S   | H       | S   | H       | S   |
| 3"  | 182     | 172 | 197     | 172 | 216     | 172 |
| 4"  | 208     | 210 | 225     | 210 | 260     | 210 |
| 6"  | 260     | 286 | 42      | 286 | 62      | 286 |
| 8"  | 311     | 356 | 73      | 356 | 105     | 356 |
| 10" | 351     | 432 | 108     | 432 | 153     | 432 |
| 12" | 403     | 508 | 152     | 508 | 220     | 492 |
| 16" | 472     | 610 | 308     | 610 | 424     | 574 |
| 18" | 525     | 686 | 354     | 686 | 510     | 624 |
| 20" | 571     | 752 | 450     | 752 | 644     | 676 |
| 24" | 635     | 854 | 659     | 854 | 955     | 854 |

Dimensions in mm and weight in kg.  
Weight and dimensions can be changed without notice.  
Bigger sizes available under customer request.