

## TWO-WAY HYGIENIC CONTROL VALVES V926H

### DESCRIPTION

The ADCAPure V926H is a series of single seated two-way hygienic control valves with angle connections.

These valves are designed to regulate and accurately control flow of liquids and gases and are suitable for hygienic applications found in the pharmaceutical, cosmetic, fine chemical and food & beverage industries.

The V926H can be assembled with pneumatic, hydraulic or electric actuators, for modulating and shut-off control tasks.

### MAIN FEATURES

- Completely manufactured from bar stock material.
- Body and bonnet are connected by a clamp connection, allowing fast and easy maintenance procedures.
- Cavity-free with no air trap locations.
- Metal to metal or soft sealing.
- Self-drainable design.

### STANDARD SURFACE FINISH

- Internal wetted parts:  $\leq 0,51$  micron Ra – SF1.
- External:  $\leq 0,76$  micron Ra – SF3.
- Other surface conditions see IS PV20.00 E - Technical information.
- Ultrasonic cleaning.

- OPTIONS:**
- Soft valve sealing.
  - Reduced bore trims.
  - Steam barrier.
  - Inline connections.
- USE:**
- Saturated steam, hot and superheated water.
  - Process fluids, liquids, air and gases compatible with the construction.

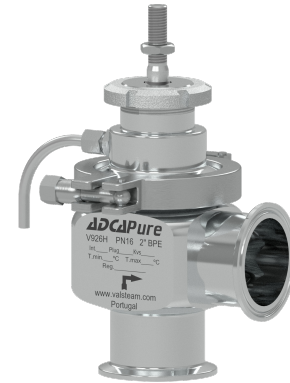
- AVAILABLE MODELS:**
- V926H.

- SIZES:**
- 1/2" to 4".

- CONNECTIONS:**
- ASME BPE clamp ferrules or tube weld (ETO) ends. Others on request.

- PACKAGING:**
- Assembling and packaging in a clean room certified according to ISO 14644-1.
  - The product is end capped and sealed with recyclable thermo-shrinkable plastic film, to avoid contamination.

- INSTALLATION:**
- Horizontal installation. Vertical inlet and horizontal outlet. See IMI – Installation and maintenance instructions.





LIMITING CONDITIONS *	
<b>Valve model</b>	<b>V926H</b>
Body design conditions	PN 16
Maximum operating pressure	13 bar @ 38°C
Maximum operating steam pressure	6 bar
Max. operating temp. (steam and water)	170 °C
Maximum operating temperature (air)	150 °C
Minimum operating temperature	- 10 °C

\* Higher and lower limits on request.

CE MARKING – GROUP 2 (PED – European Directive)	
<b>PN 16</b>	<b>Category</b>
1/2" to 2"	SEP
2 1/2" to 4"	1 (CE marked)

PLUG DESIGN

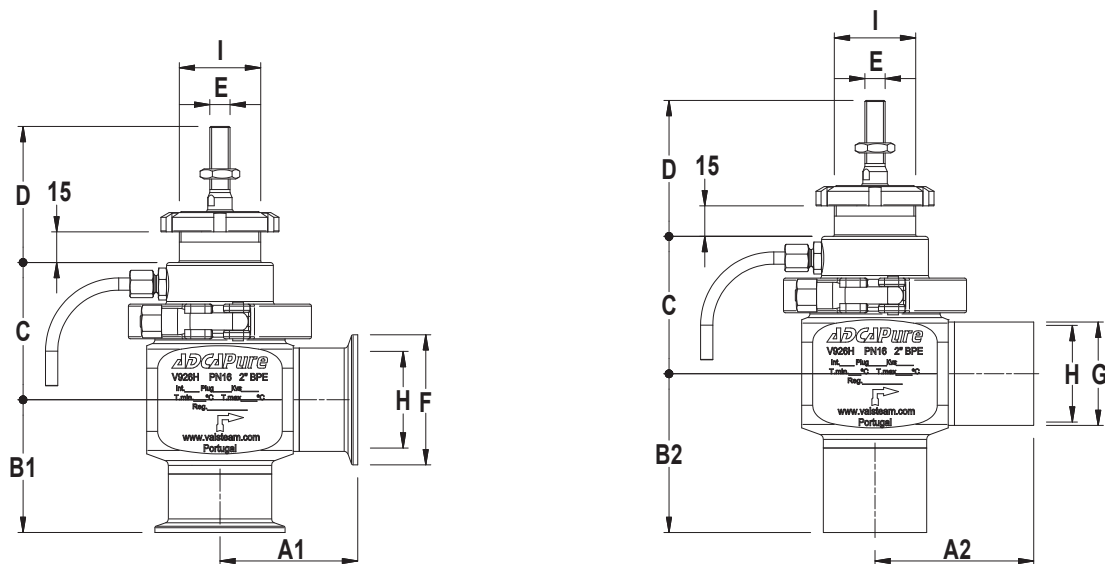
PARABOLIC		PARABOLIC (SOFT SEALING)	
	<b>Sealing:</b> Metal to metal <b>Characteristic:</b> Equal percentage (EQP) or linear (PL) <b>Flow direction:</b> From below <b>Rangeability:</b> 50:1 (EQP) or 30:1 (PL) <b>Leakage:</b> Class IV, acc. to IEC 60534-4		<b>Sealing:</b> EPDM, PTFE or FPM <b>Characteristic:</b> Equal percentage (EQP) or linear (PL) <b>Flow direction:</b> From below <b>Rangeability:</b> 50:1 (EQP) or 30:1 (PL) <b>Leakage:</b> Class VI, acc. to IEC 60534-4

FLOW RATE COEFFICIENTS – PARABOLIC PL AND EQP PLUGS

SIZE	Kvs (m³/h)																										
	0,1 *	0,25 *	0,5 *	1	1,5	2	2,3	2,9	4	6,3	10	16	25	40	63	100	160										
1/2"	•	•	•	•	•	•																					
3/4"							•	•	•																		
1"								•	•	•																	
1 1/2"									•	•	•	•															
2"											•	•	•	•													
2 1/2"												•	•	•	•												
3"													•	•	•	•											
4"														•	•	•	•	•									
SEAT Ø (mm)	4			8			12			15		19,2		25		32		38		47/50		65		76		96	
STROKE (mm)	15						15						20						30								

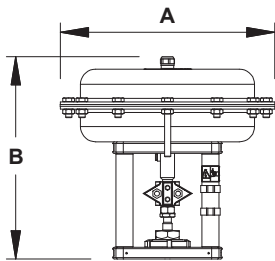
\* Microflow only available with linear characteristic.  
 For conversion  $Kvs = Cv (US) \times 0,865$ .

DIMENSIONS



DIMENSIONS (mm)									
DIMENSION	SIZE								
	1/2"	3/4"	1"	1 1/2"	2"	2 1/2"	3"	4"	
A1	52	52	54	68	68	72	92	98	
A2	52	56	59	76	78	92	115	119	
B1	41	45	51	62	65	78	86	98	
B2	41	51	57	70	78	98	109	125	
C	52	52	56	63	68	75	94	106	
D	67					70			
E	M10 x 1,5								
F	25	25	50,5	50,5	64	77,5	91	119	
G	12,7	19,1	25,4	38,1	50,8	63,5	76,2	101,6	
H	9,4	15,8	22,1	34,8	47,5	60,2	72,9	97,4	
I	M40 x 1,5						M45 x 1,5		
WEIGHT (kg)	1,5	1,5	1,7	2,9	3,5	4,2	9,6	14,6	

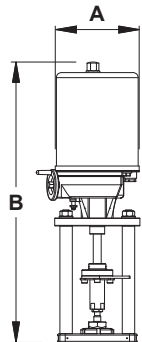
Remarks: Face to face dimensions are not standardized. Different dimensions available on request.



### PA SERIES PNEUMATIC ACTUATORS

DIMENSIONS (mm)					
DIMENSION	PA10	PA206	PA281	PA341	PA436
A	170	209	275	336	430
B	251	236	243	323	291 / 311 *
WEIGHT (kg)	6,3	6,2	9,6	14,3	24,4 / 28 *

\* For actuators with spring ranges 1 - 2 bar; 1,5 - 3 bar and 2 - 4 bar.  
For more information, please consult IS 3.05 – PA Linear pneumatic actuators.



### EL SERIES ELECTRIC ACTUATORS

DIMENSIONS (mm)			
DIMENSION	EL12	EL20 – EL45	EL80
A	129	148	188
B	333	485	587
WEIGHT (kg)	2,1	8	13

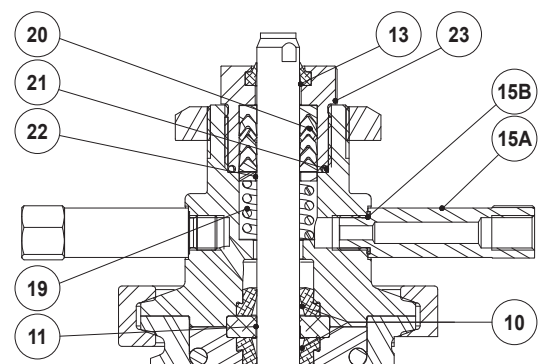
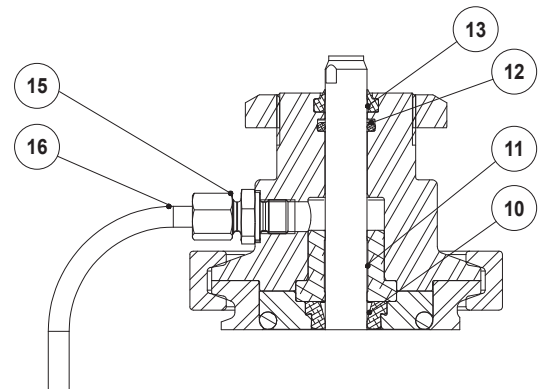
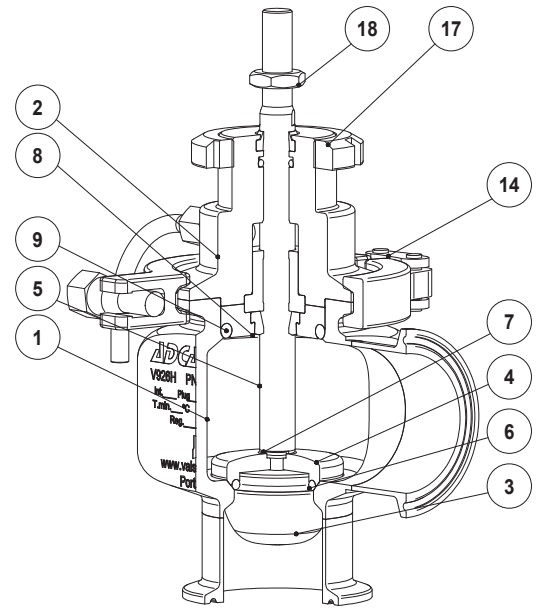
For more information, please consult IS 3.72 – EL Linear electric actuators.

MATERIALS		
POS. N°	DESIGNATION	MATERIAL
1	Valve body	AISI 316L / 1.4404
2	Bonnet	AISI 316L / 1.4404
3	* Valve plug	AISI 316L / 1.4404
4	* Plug disc	AISI 316L / 1.4404
5	* Stem	AISI 316L / 1.4404
6	* Valve plug seal	** EPDM; PTFE; FPM
7	* O-ring	EPDM
8	Centering ring	AISI 316L / 1.4404
9	* O-ring	EPDM; PTFE; FPM
10	* Shaft seal	EPDM; PTFE; FPM
11	* Guide bushing	TFM 1600
12	* O-ring	EPDM
13	* Scraper ring	FPM; NBR
14	Clamp	AISI 316 / 1.4401
15	Compression fitting	AISI 304 / 1.4301
15A	Nipple	AISI 316L / 1.4404
15B	* O-ring	FPM
16	Discharge pipe	AISI 316 / 1.4401
17	Lock nut	CF8 / 1.4308
18	Lock nut	AISI 304 / 1.4301
19	* Spring	AISI 302 / 1.4310
20	* Chevron packing set	PTFE
21	* O-ring	EPDM
22	* Washer	AISI 304 / 1.4301
23	Gland nut	AISI 316L / 1.4404

\* Available spare parts; \*\* Others on request.

Remarks: FDA / USP Class VI seals certificate on request.

All valves have a serial number. In case of non-standard valves, this number must be supplied if spare parts are ordered.



Optional steam barrier

ORDERING CODES V926H a)												
Valve model	V9H	1	S	U	E	M	E	FD	X	XD	015	
V926H - AISI 316L / 1.4404 hygienic control valve, two-way, angle body	V9H											
Valve series												
Series 1		1										
Bonnet design												
Standard			S									
With steam barrier			B									
Flow direction												
Flow under the plug				U								
Stem and body sealing b)												
EPDM					E							
PTFE					T							
FPM / Viton					V							
Valve sealing												
Metal to metal (class IV)						M						
Soft sealed with EPDM (class VI)						E						
Soft sealed with PTFE (class VI)						T						
Soft sealed with FPM/Viton (class VI)						V						
Characteristic												
Equal percentage (EQP)							E					
Linear (PL)							L					
Flow rate coefficient												
Kvs 4								FD				
See table below for other Kvs value codes												
Surface finish c)												
Standard surface finish									X			
Mirror mechanical polished external surfaces (SF1)									P			
Electropolished internal wetted parts (SF5)									E			
Pipe connection												
Clamp ferrule ASME BPE										DX		
Tube weld (ETO) according to ASME BPE										DI		
Size												
1/2"											015	
3/4"											020	
...												
Special valves / Extras												
Full description or additional codes have to be added in case of a non-standard combination												E

a) Codification for valve only. For actuator codes, refer to the appropriate information sheet.

b) When the bonnet with heating chamber is selected the stem sealing is achieved through a PTFE V-Rings/chevron packing set. In which case this field only specifies the body sealing material.

c) Consult IS PV20.00 for further details and other surface finish options.

FLOW RATE COEFFICIENT CODES									
Kvs	0,1	0,25	0,5	1	1,5	2	2,3	2,9	4
Code	M4	M2	M1	R4	R3	R2	R1	R0	FD
Kvs	6,3	10	16	25	40	63	100	160	-
Code	FE	FF	FG	FH	FI	FJ	FL	FM	-