

→ Series 2580



■ MATERIAL



■ SPECIFICATION



1/4" – 1/2"



– 200°C to + 200°C



0,2 – 70 bar

■ SUITABLE FOR

Liquids	neutral and non-neutral	
Air, gases and vapours	neutral and non-neutral	

■ EXAMPLES OF USE

Overflow valve for the protection of:

- Containers and pipelines for the storage and transport of cryogenic liquified gases such as LIN, LOX, LAr, CO₂, LNG.

- Tunnel freezer plants
- Dry ice blasting plants
- Cryogenic plant construction
- Liquid nitrogen dosing
- Cryogenic milling process
- Cryogenic machining
- Ground freezing plants
- Gases used in medical equipment
- Plants for cryogenic gases which come into contact with foodstuffs

Overflow valves of this type are oil- and grease-free as standard.

■ APPROVALS

Requirements

AD 2000 Data sheet A2
DGR 2014/68/EU

■ MATERIALS

Component	Material	DIN EN	ASME
Inlet body	Stainless steel	1.4404	316 L
Outlet body	Gunmetal / Brass	CC499K/CW617N	CC499K/CW617N
Internal parts	Stainless steel	1.4404	316 L
Spring	Stainless steel	1.4310	302
Seal	PTFE	PTFE	PTFE

Series 2580 ■ VALVE VERSION

s	non-gastight version of spring housing	for neutral media
t	gastight version of spring housing	for neutral and non-neutral media. The environment is protected from being affected by the medium.

■ MEDIUM

GF	gaseous and liquid	Cryogenic liquified gases, vapours and liquids, for oxygen max. 40bar/ max. 60°C
-----------	--------------------	--

■ TYPE OF LIFTING MECHANISM

0	without lifting device
----------	------------------------

■ AVAILABLE NOMINAL DIAMETERS AND CONNECTION SIZES

Nominal diameter DN		8		
Inlet		1/4" (8)	3/8" (10)	1/2" (15)
Outlet	3/8" (10)	■	■	■
	1/2" (15)	■	■	■

■ TYPE OF CONNECTION INLET / OUTLET THREADED CONNECTIONS

m / f	Standard	Male thread BSP-P / Female thread BSP-P	DIN EN ISO 228-1 / DIN EN ISO 228-1
f / f		Female thread BSP-P / Female thread BSP-P	DIN EN ISO 228-1 / DIN EN ISO 228-1
NPT-m / f		Male thread NPT / Female thread BSP-P	ANSI B1.20.1 / DIN EN ISO 228-1
With insect protection:			
m/z		Male thread BSP-P / Insect protection screen	DIN EN ISO 228-1 / –
f/z		Female thread BSP-P / Insect protection screen	DIN EN ISO 228-1 / –
NPT-m/z		Male thread NPT / Insect protection screen	ANSI B1.20.1 / –

■ SEALS

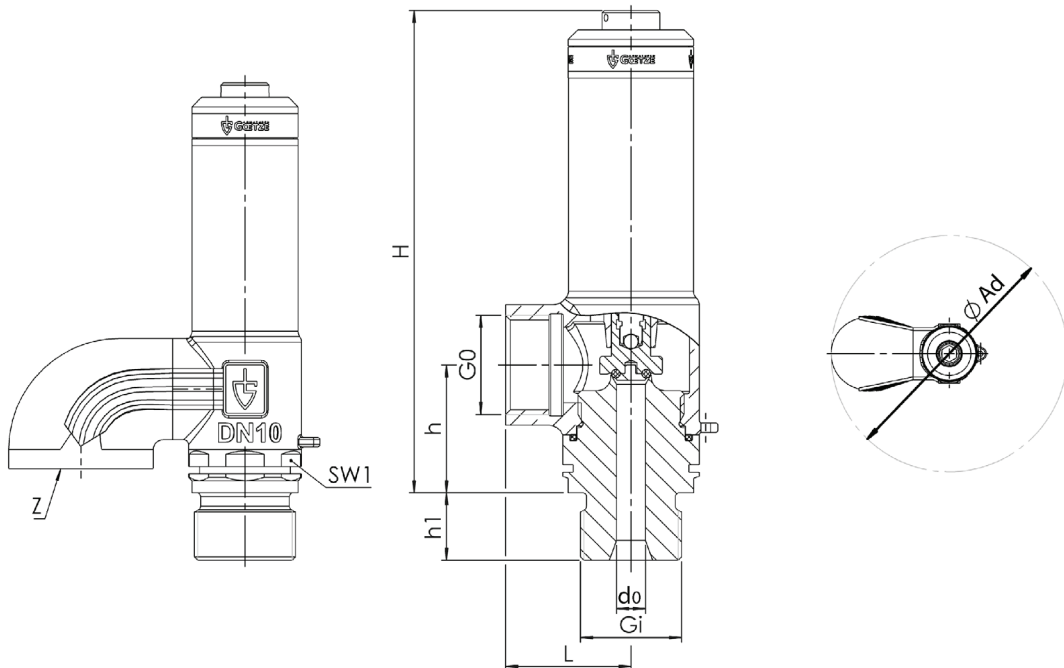
PTFE	Polytetrafluoroethylene	O-ring with FDA Approval	-200°C to +200°C
-------------	-------------------------	--------------------------	------------------

■ NOMINAL DIAMETERS, CONNECTIONS, INSTALLATION DIMENSIONS

Series 2580: Connection, installation dimensions, ranges of adjustment							
Nominal diameter	DN	8					
Connection DIN EN ISO 228	Gi	1/4" (8)	3/8" (10)	1/2" (15)	1/4" (8)	3/8" (10)	1/2" (15)
Outlet DIN EN ISO 228	Go	3/8" (10)	3/8" (10)	3/8" (10)	1/2" (15)	1/2" (15)	1/2" (15)
Installation dimensions in mm	h1	12		14		12	
	h	22		26		26	
	L	21		26		26	
	H	85		99		99	
	SW1	22		27		27	
	Ad	47 / 98**)		58		58	
	d _o	6,0		6,0		6,0	
	Weight kg	0,2		0,3		0,3	
Set pressure bar	0,2 - 70		0,2 - 70		0,2 - 70		
Range of adjustment bar	0,2-2,5		0,2-2,5		0,2-2,5		
	2,5-3,5		2,5-3,5		2,5-3,5		
	3,5-5,5		3,5-5,5		3,5-5,5		
	5,5-8		5,5-8		5,5-8		
	8-13		8-13		8-13		
	13-23		13-23		13-23		
	23-35		23-35		23-35		
	35-52		35-52		35-52		
	52-70		52-70		52-70		
	Outlet with insect protection screen	Z	- / Yes		-		-

***) Diameter for body with insect protection screen

■ MAIN DIMENSIONS, INSTALLATION DIMENSIONS



Series 2580 ■ INDIVIDUAL SELECTION / VALVE CONFIGURATION

Series	Valve version	Medium	Lifting device	Nominal diameter DN	Connection type		Connection size		Seal	Set pressure	Quantity
					Inlet	Outlet	Inlet	Outlet			
2580	s	GF	0	8	m	z	10	-	PTFE	6,0	2
2580		GF									
2580		GF									
2580		GF									

■ CERTIFICATES / APPROVALS

C01	Factory certificate acc. DIN EN 10204 2.2 (WKZ 2.2)	<input type="checkbox"/>	C05	Sealing material Manufacturer certification (FDA, USP 3, 3-A,...), Please indicate description of certificate:	<input type="checkbox"/>
C02-1	Test certificate acc. DIN EN 10204 3.1 (WPZ 3.1) for non TÜV-CE valves marking of individual serial number is required	<input type="checkbox"/>	C06	ATEX evaluation acc. to 2014/34/EU	<input type="checkbox"/>
C03	Material test certificate acc. DIN EN 10204 3.1 (MPZ 3.1) (pressure retaining part)	<input type="checkbox"/>	C10	Certificate of oil- and grease free production	<input type="checkbox"/>
C04	TÜV/DEKRA individual inspection acc. EN 10204 3.2 (TÜV/DEKRA-APZ)	<input type="checkbox"/>			<input type="checkbox"/>

■ ADMISSIONS / ACCREDITATIONS

AA1	EC Type examination acc. to Directive 2014/68/EU	<input type="checkbox"/>		<input type="checkbox"/>
AL	Individual inspection by notified body inspector – (body to be indicated):	<input type="checkbox"/>		<input type="checkbox"/>
		<input type="checkbox"/>		<input type="checkbox"/>

■ ENQUIRY

Copy and send to: order@goetze-armaturen.de.

Order form easily to be found online under the section for each series.

Series 2580: Kv values at 1 bar overpressure									
Nominal diameter DN	8								
flow diameter	0,2-2,5	2,5-3,5	3,5-5,5	5,5-8	8-13	13-23	23-35	35-52	52-70
Set pressure bar	Air [Nm ³ /h]								
0,2	23								
1,0	25								
1,5	27								
2,0	27,5								
2,5	28,5	25,8							
3,0		26,7							
3,5		27,8	24,8						
4,0			26,2						
4,5			27,5						
5,0			28,2						
5,5			28,9	25,8					
6,0				27,4					
7,0				29,0					
8,0				29,6	27,8				
9,0					27,9				
10					28,1				
11					29,5				
12					31,5				
13					33,0	31,0			
14						32,3			
15						33,5			
16						34,0			
17						35,3			
18						36,5			
19						37,3			
20						38,0			
21						38,5			
22						39,3			
23						40,0	33,9		
24							35,5		
25							37,0		
26							38,0		
27							39,5		
28							41,5		
29							43,0		
30							44,5		
32							46,0		
34							47,5		
36							49,0	52,3	
38								55,4	
40								58,3	
42								60,5	
44								63,5	
46								67,2	
48								70,2	
50								73,2	
52								73,9	73,9
54									76,8
56									79,7
58									82,6
60									85,5
62									88,4
64									91,3
66									94,2
68									97,1
70									100,0