

DOUBLE WINDOW SIGHT GLASSES DW40SS

DESCRIPTION

The DW40SS is a series of double window sight glasses specially designed for installation downstream of steam traps, to monitor their performance such as checking for live steam leakage or blockage. Such devices can also be used for monitoring flow conditions in other applications, particularly in pipelines with liquid medium.

MAIN FEATURES

Compact.
Corrosion resistant stainless steel body.
Double window design.
Borosilicate glass.

OPTIONS: Mica shield discs for use with steam.

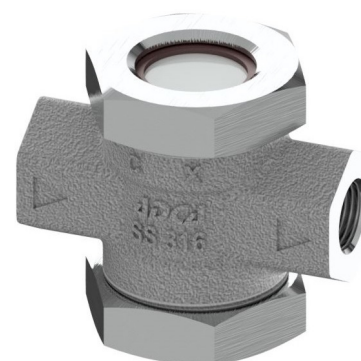
USE: Condensate lines and others.

AVAILABLE MODELS: DW40SS – stainless steel.

SIZES: 1/2" to 2"; DN 15 to DN 50.

CONNECTIONS: Female threaded ISO 7 Rp or NPT.
Flanged EN 1092-1 PN 40.
Flanged ASME B16.5 Class 150 or 300.

INSTALLATION: Horizontal or vertical installation.
See IMI – Installation and maintenance instructions.



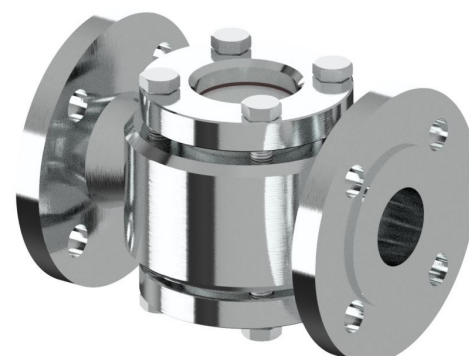
1/2" to 1"



1 1/4" to 2"



DN 15 to DN 25



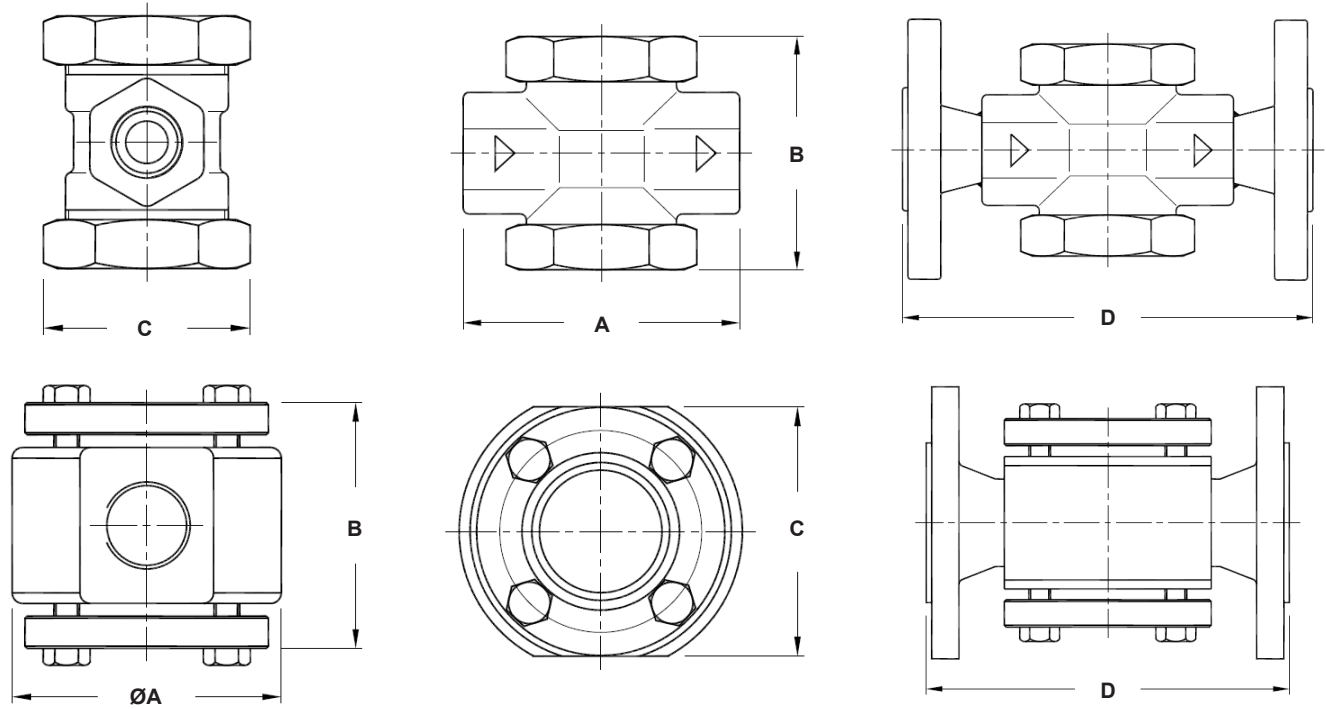
DN 32 to DN 50

CE MARKING – GROUP 2 (PED – European Directive)			
PN 40 / CLASS 300	PN 25	CLASS 150	Category
1/2" to 1" – DN 15 to DN 25	1 1/4" to 1 1/2" – DN 32 to DN 40	1/2" to 2"	SEP
–	2" – DN 50	–	1 (CE Marked)

BODY LIMITING CONDITIONS				
FLANGED CLASS 150 **	FLANGED PN 25 *	FLANGED CLASS 300 **	FLANGED PN 40 *	RELATED TEMPERATURE
ALLOWABLE PRESSURE	ALLOWABLE PRESSURE	ALLOWABLE PRESSURE	ALLOWABLE PRESSURE	
15,3 bar	25 bar	39,9 bar	40 bar	-10 / 50 °C
13,3 bar	23,6 bar	34,4 bar	37,9 bar	100 °C
12 bar	21,5 bar	31,3 bar	34,4 bar	150 °C
11,1 bar	19,8 bar	28,8 bar	31,8 bar	200 °C
10,2 bar	18,6 bar	26,6 bar	29,9 bar	250 °C

* According to EN 1092-1:2018; ** According to EN 1759-1:2004.

Remarks: For applications with steam, use mica shield discs.
Rating PN 40 for sizes up to DN 25; Rating PN 25 for sizes from DN 32 to DN 50.
Rating PN 40 or lower for threaded versions.



DIMENSIONS (mm)

SIZE	THREADED				PN 40		CLASS 150		CLASS 300	
	A	B	C	WEIGHT (kg)	D	WEIGHT (kg)	D	WEIGHT (kg)	D	WEIGHT (kg)
1/2" – DN 15	90	80	60	1	150	2,8	150	2,2	150	2,6
3/4" – DN 20	90	80	60	1	150	3,2	150	2,6	150	3,5
1" – DN 25	100	87	65	1,2	160	3,7	160	3,3	160	4,1
1 1/4" – DN 32	130	115	114	7,4	180	11	180	10,2	180	11,3
1 1/2" – DN 40	130	115	114	7,2	200	11,5	200	11	200	12,7
2" – DN 50	130	125	114	7,7	230	13,5	230	13	230	14,3

MATERIALS

POS. N°	DESIGNATION	1/2" to 1" DN 15 to 25	1 1/4" to 2" DN 32 to 50
1	Body	AISI 316 / 1.4401	AISI 316L / 1.4404
2	Glass nut / flange	AISI 316L / 1.4404	AISI 316L / 1.4404
3	* Gasket	Stainless steel / Graphite	Stainless steel / Graphite
4	* Window glass	Borosilicate glass	Borosilicate glass
5	Bolts	–	Stainless steel A2-70

* Available spare parts.

