

**SAMPLE COOLERS  
SC32P – SC32PP**

**DESCRIPTION**

ADCA sample coolers are specially designed to cool samples of boiler water or steam for analysis. Sample coolers prevent steam flashing-off from hot pressurized liquid samples, which can be dangerous and may result in an incorrect water sample. This device may be used for boiler water analysis and other sampling or cooling applications compatible with the construction materials.

**MAIN FEATURES**

Corrosion-resistant body and internals.  
Self draining sample (top inlet, bottom outlet).

**STANDARD SURFACE FINISH**

Internal wetted parts: ≤ 0,51 micron Ra – SF1.  
External: ≤ 0,76 micron Ra – SF3.  
Other surface conditions see IS PV20.00 E – Technical information.  
Ultrasonic cleaning.

**OPTIONS:** Different connection sizes and materials.  
**USE:** Steam boilers.  
Hot water systems.

**AVAILABLE MODELS:** SC32P – permanent sampling.  
SC32PP – portable design.

**SIZES AND CONNECTIONS:** Cooling water inlet/outlet: 1/2" on body (BSP or NPT) or 3/4" tri-clamp.  
Sample tube inlet/outlet: 8 mm O/D.  
Alternative 1/2" tri-clamp compatible.

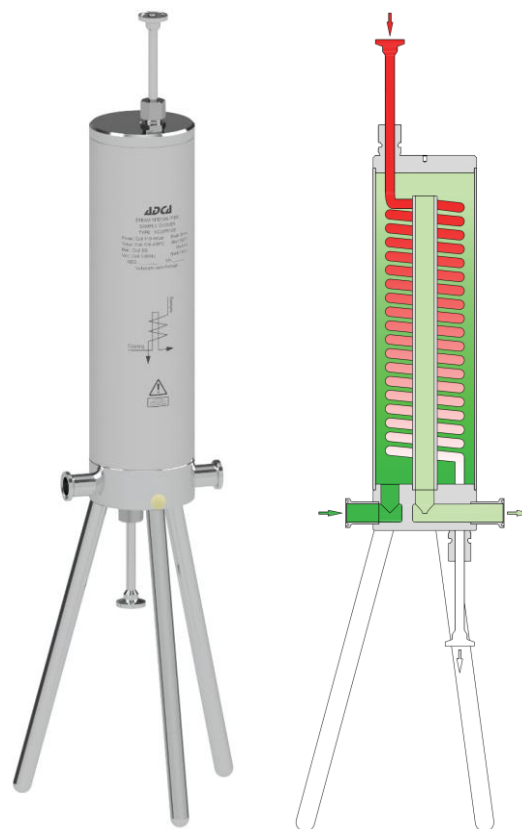
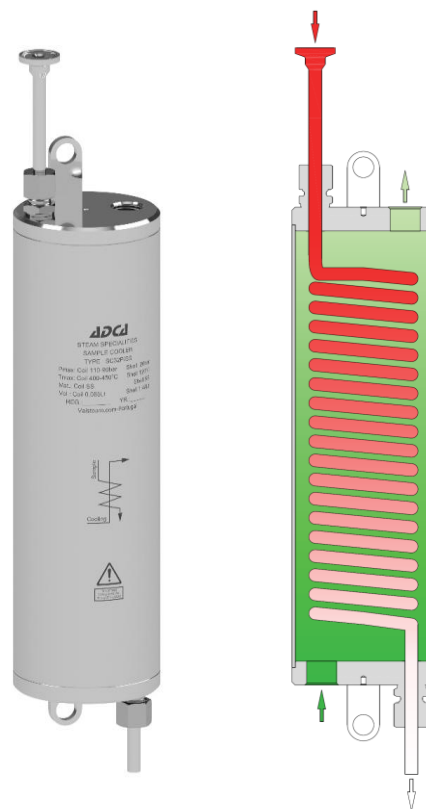
**PACKAGING:** Assembling and packaging in a clean room certified according to ISO 14644-1.  
The product is end capped and sealed with recyclable thermo-shrinkable plastic film, to avoid contamination.

**INSTALLATION:** Vertical installation.  
**OPERATION:** Cooling water must be at its maximum flow before opening or closing the sample inlet valve, in order to avoid scalding.  
Sample valve must also be closed before opening the cooling water valve.  
Sample coil must always be completely immersed in water.

**PERFORMANCE:** 30 to 60 kg/h of sample water at ≈ 30 °C with 1 m<sup>3</sup>/h - 15 °C inlet cooling water (boilers up to 20 bar – 220 °C). For other pressures, temperatures and/or certified figures please consult.

LIMITING CONDITIONS				
MODEL	BODY		COIL	
	Pressure (bar)	Related temp. (°C)	Pressure (bar) *	Related temp. (°C) *
SC32P / SC32PP	20	120	110	400
			90	450

\* Limited to the clamp adaptor rating.  
Minimum operating temperature: - 10 °C.

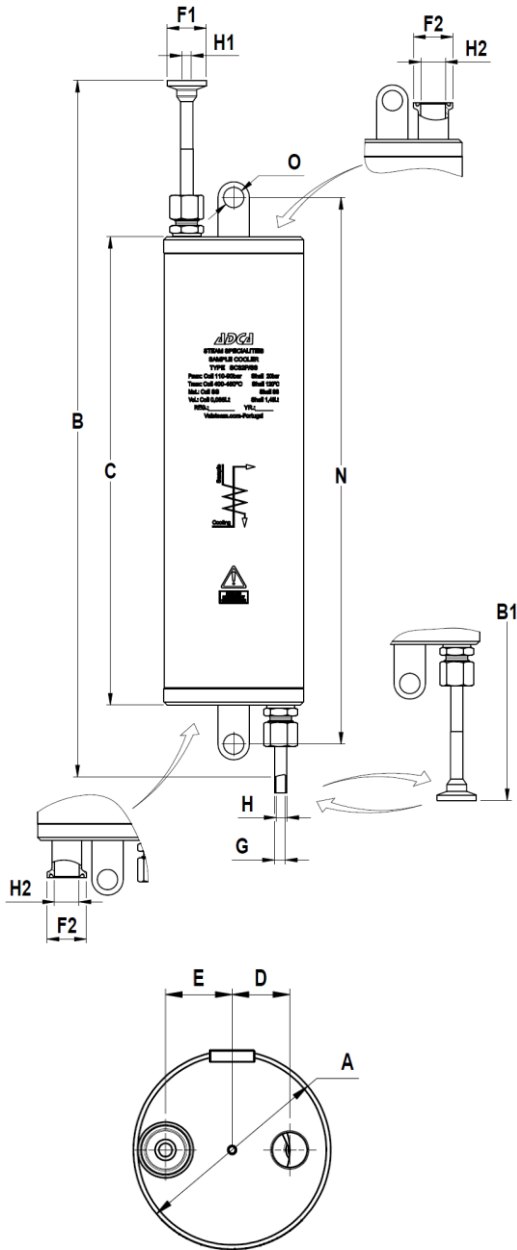


**DIMENSIONS (mm) ASME BPE**

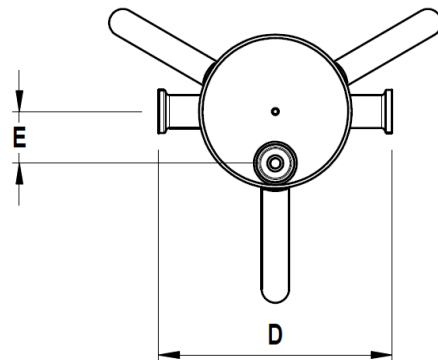
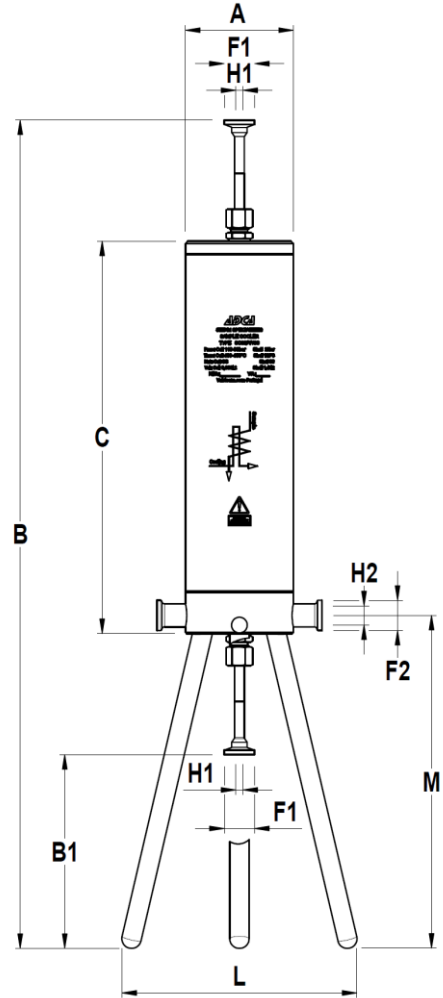
SIZE	A	B	B1	C	D	E	G	H	L	M	N	O	F1	F2	H1	H2	WEIGHT (kg)
SC32P	90	456	500	300	26	30	8	6	–	–	350	Ø13	25	25	6	15,75	3,3
SC32PP	90	684	160	324	136	30	–	–	194	275 *	–	–	25	25	6	15,75	5,9

\* Extended legs on request.

**SC 32P**



**SC 32PP**



**MATERIALS**

DESIGNATION	MATERIAL
Body	AISI 316L / 1.4404
Covers	AISI 316L / 1.4404
Coil	AISI 316L / 1.4404
Compression fittings	AISI 316Ti / 1.4571 Cl. L
Discharge tube	AISI 316L / 1.4404

EN10204 3.1 certificate and internal coil surface finish certification available if requested with the order.