

SAMPLE COOLERS SC332 – SC432 – SC532

DESCRIPTION

The ADCA sample coolers are specially designed to cool samples of boiler water or steam for analysis. Sample coolers prevent steam flashing-off from hot pressurised liquid samples, which can be dangerous and may result in an incorrect sample. This device may be used for boiler water analysis and other sampling or cooling applications compatible with the construction materials.

MAIN FEATURES

Corrosion-resistant body and internals.
Counter-current flow for better performance.

OPTIONS: Sample inlet valve.
Cooling water inlet valve.
Temperature indicator.
Bolted top plate.
Different connection sizes and materials under request.

USE: Steam boilers and hot water systems.

AVAILABLE

MODELS: SC332/SS – SC432/SS – SC532/SS - stainless steel body and coil.

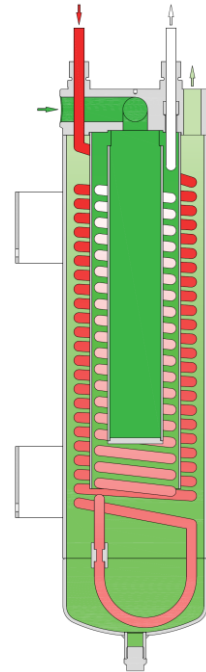
SIZES AND

CONNECTIONS: SC332 and SC332H.
Cooling water inlet/outlet: 1/2" (BSP or NPT).
Sample tube inlet/outlet: 10 mm O/D.
SC432 and SC532; SC432H and SC532H.
Cooling water inlet/outlet: 3/4" (BSP or NPT).
Sample tube inlet/outlet: 10 mm O/D.

INSTALLATION: Vertical installation.

OPERATION: Cooling water must be at its maximum flow before opening or closing the sample inlet valve, in order to avoid the risk of scalding.
Sample valve must be closed before opening the cooling water valve.
Sample coil should always be completely immersed in water.

PERFORMANCE: 30 to 60 kg/h of sample liquid at ≈ 30 °C with 1 m³/h of inlet cooling water at 15 °C, for other pressures, temperatures and/or certified values, consult factory.

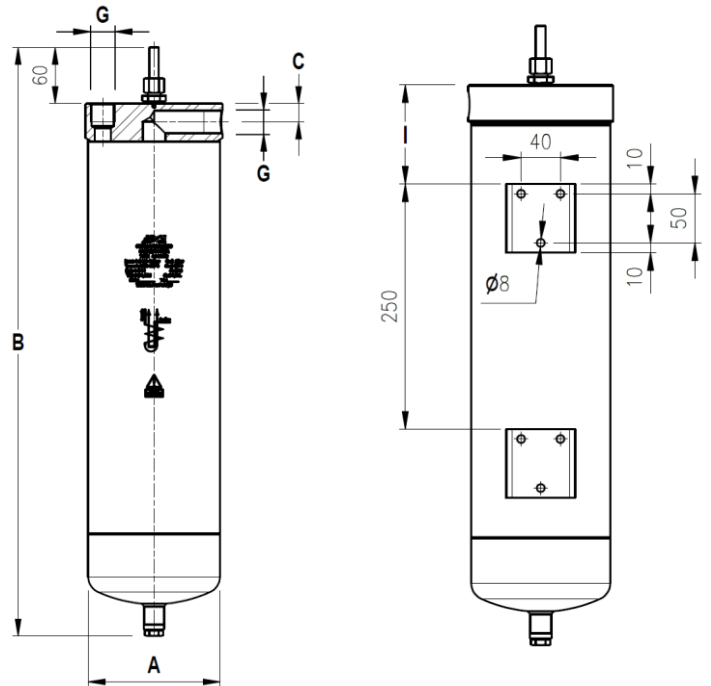
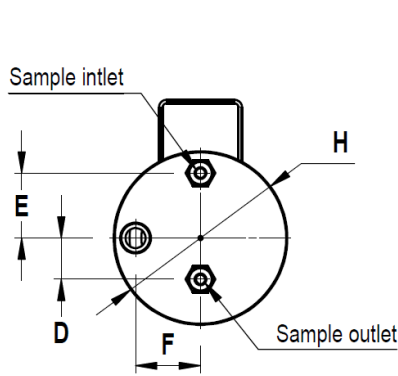


| LIMITING CONDITIONS | | | | | | | |
|-----------------------|--------------------|---------------|--------------------|--------------------------|--------------------|----------------|--------------------|
| SC332 / SC432 / SC532 | | | | SC332H / SC432H / SC532H | | | |
| BODY | | COIL | | BODY | | COIL | |
| Pressure (bar) | Related temp. (°C) | Pressure (°C) | Related temp. (°C) | Pressure (bar) | Related temp. (°C) | Pressure (bar) | Related temp. (°C) |
| 20 | 120 | 130 | 300 | 20 | 120 | 280 | 300 |
| | | 120 | 400 | | | 268 | 400 |
| | | 110 | 450 | | | 260 | 450 |
| | | 100 | 500 | | | 245 | 550 |

Min. operating temp.: -10 °C; Design code: AD-Merkblatt.

| DIMENSIONS (mm) | | | | | | | | | | |
|-----------------|-----|-----|----|----|----|----|------|-----|-----|-------------|
| MODEL | A | B | C | D | E | F | G | H | I | WEIGHT (kg) |
| SC332 | 89 | 665 | 15 | 18 | 35 | 35 | 1/2" | 100 | 96 | 9 |
| SC432 | 141 | 631 | 20 | 35 | 55 | 55 | 3/4" | 147 | 101 | 18,3 |
| SC532 | 141 | 731 | 20 | 35 | 55 | 55 | 3/4" | 147 | 151 | 22,3 |

Remarks: same dimensions for the version "H" (higher temperature).



| MATERIALS | |
|----------------------|--|
| DESIGNATION | SC332 / SC432 / SC532 |
| Body | AISI 304 / 1.4301 or AISI 316 / 1.401 |
| Covers | AISI 304 / 1.4301 or AISI 316 / 1.401 |
| Coil | AISI 316Ti / 1.4571 |
| Compression fittings | AISI 316Ti / 1.4571 |
| Discharge tube | AISI 316Ti / 1.4571 |

EN10204 3.1 certificate available if requested with the order.
Same materials for version "H", except the coil thickness.

TYPICAL INSTALLATION

| MATERIALS | |
|-----------|---|
| POS. N° | DESIGNATION |
| 1 | Sample cooler |
| 2 | * Sample inlet valve ADCA NV-400 |
| 3 | * Cooling water inlet valve ADCA GV32B |
| 4 | Compression fittings (x2) 3/8" x 10 mm |

* For operating conditions, check IS NV400.10 E and IS GV32B.10;

