

EXHAUST HEADS EH

DESCRIPTION

The EH series exhaust heads were designed to protect personnel from injury and exterior of buildings from harmful effects of steam ejection to atmosphere. The head is fitted at the end of a vertical exhaust pipe and effectively retains the moisture separated from the steam for draining.

MAIN FEATURES

Stainless steel separating element.
Quiet operation.
Reduces discharge velocity.

OPTIONS: Corrosion protection (metal abrasive blasted, metalized and painted).
Complete stainless steel construction.

USE: Open vertical steam vent pipes in blowdown vessels, boiler feedtanks, etc.

CAUTION: Not recommended for safety valves outlets.

AVAILABLE MODELS:
EH/S – carbon steel body.
EH/SH – thermal spraying zinc coating and black painted.
EH/SS – stainless steel body.

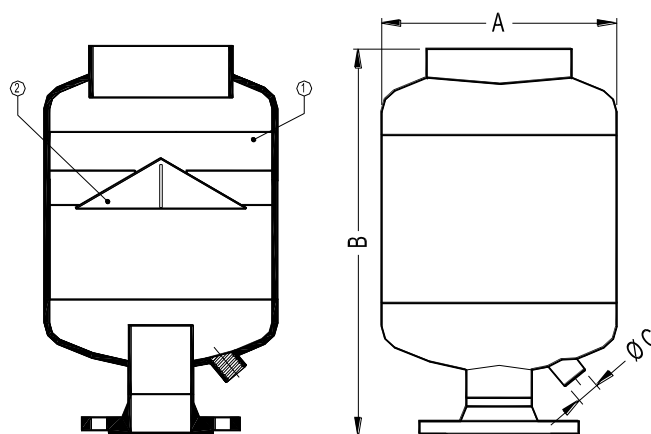
SIZES: 1" to 4".
DN 25 to DN 250.

CONNECTIONS: Female screwed ISO 7/1 Rp (BS21).
Flanged EN 1092-1 PN16 or ANSI class 150 lb.

INSTALLATION: Vertical installation. The drain should be piped to a safe position.
The exhaust head should be selected so that it has the same size as the vent pipe.

How to order: i.e.EH/S PN16 DN 65.

Remarks:
Dimensions are subject to change without notice.
Consult factory for certified dimensions.
Other sizes and designs can be supplied on request.



DIMENSIONS (mm) *				
SIZE DN	A	B	C	WGT. (kg)
25	168	345	1/2"	15
32	168	345	1/2"	16
40	168	400	1/2"	18
50	273	450	3/4"	26
65	273	450	3/4"	28
80	273	495	3/4"	29
100	273	495	1"	33
125	356	525	1"	42
150	356	525	1"	48
200	508	650	1 1/2"	95
250	508	650	1 1/2"	110

* Dimensions refer to EN1092-1 flanged version. For other versions, consult factory.

LIMITING CONDITIONS	
PS – Maximum allowable pressure	0,5 bar

Minimum operating temp.: -10 °C;
Design code: AD-Merkblatt.
Other conditions and CE marking on request.

MATERIALS	
DESIGNATION	MATERIAL
Body	P235GH / 1.0305
Separating element	AISI 304 / 1.4301