

## FLOAT AND THERMOSTATIC STEAM TRAPS FLT49 (Stainless steel 2"; DN 50)

### DESCRIPTION

The FLT49 is a range of float and thermostatic steam traps with integral air vent designed for modulating discharge of condensate, ensuring maximum system heat transfer.

Typical applications include unit heaters, heat exchangers, dryers, jacketed vessels and other applications where continuous discharge is essential and high flow capacities are involved.

### MAIN FEATURES

Modulating discharge of condensate at steam temperature.

Unaffected by sudden or wide load and pressure variations.

No backing-up with condensate.

Excellent air discharge through its integrated air vent.

Flow direction can be easily changed by repositioning the body in relation to the mechanism and cover.

**OPTIONS:** Equalizing (vent) and drain connections.

SLR – Steam lock release.

HVV – Hand vent valve.

BDV – Blowdown valve.

AFZ – Anti-freeze device.

FLL – Float lifting lever.

VB21M – Vacuum breaker.

**USE:** Saturated and superheated steam.

### AVAILABLE

**MODELS:** FLT49-4,5 , 10 , 21 and 32 – stainless steel.

**SIZES:** 2"; DN 50.

**CONNECTIONS:** Flanged EN 1092-1 PN 40.  
Flanged ASME B16.5 Class 150 or 300.

**INSTALLATION:** Horizontal or vertical installation.

**MAX. ΔP:** FLT49-4,5 – 4,5 bar  
FLT49-10 – 10 bar  
FLT49-21 – 21 bar  
FLT49-32 – 32 bar



### CE MARKING – GROUP 2 (PED – European Directive)

PN 40	Category
2" – DN 50	1 (CE marked)

BODY LIMITING CONDITIONS		
FLANGED PN 40 / CLASS 300 *	FLANGED CLASS 150 **	RELATED TEMP.
ALLOWABLE PRESSURE	ALLOWABLE PRESSURE	
40 bar	16,3 bar	100 °C
33,7 bar	13,5 bar	200 °C
31,8 bar	12,1 bar	250 °C
29,7 bar	10,2 bar	300 °C

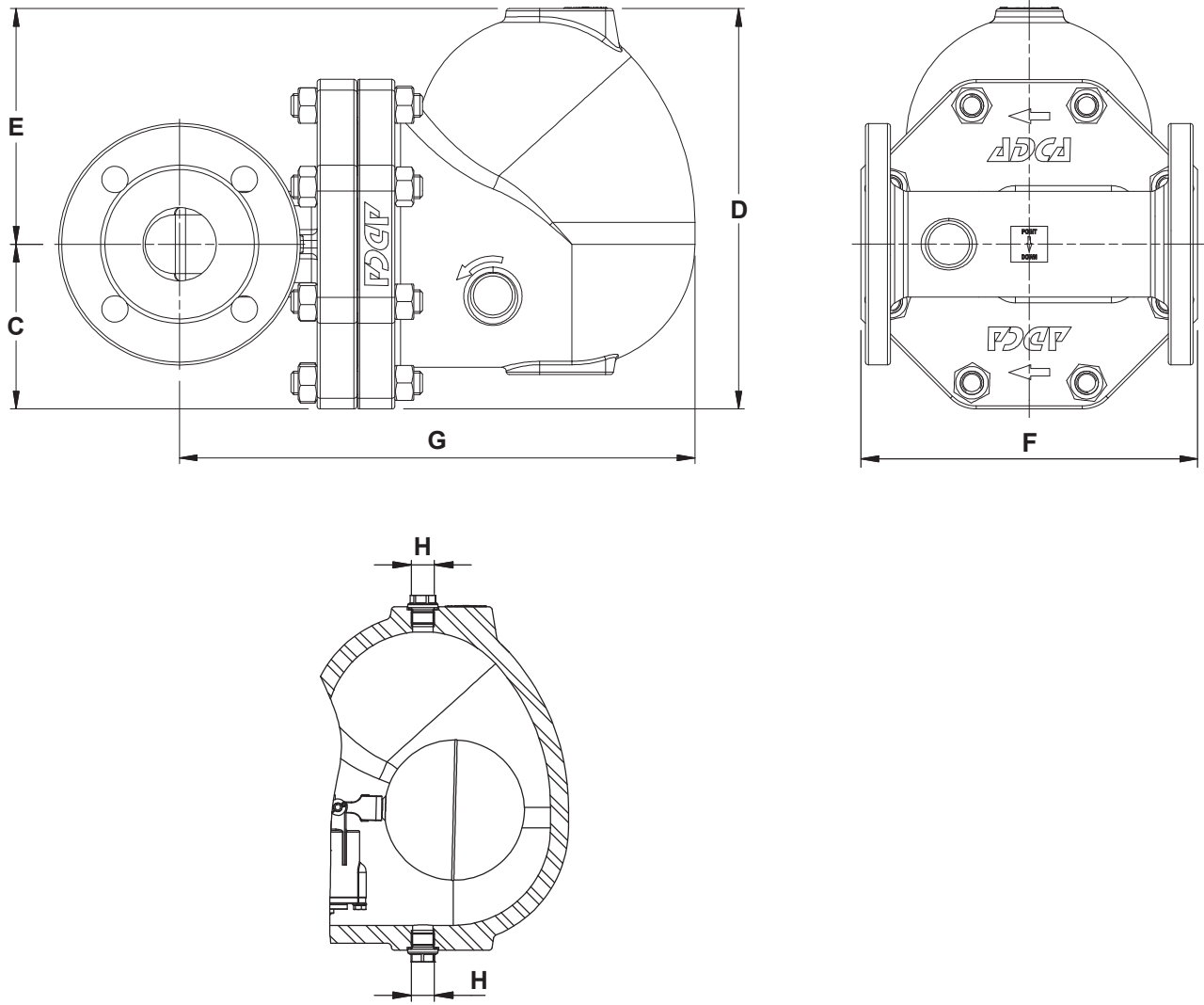
PMO – Maximum operating pressure: 32 bar.

TMO – Maximum operating temperature: 250 °C.

\* Acc. to EN 1092-1:2018; \*\* Acc. to EN 1759-1:2004.

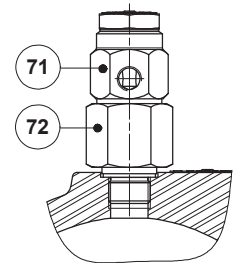
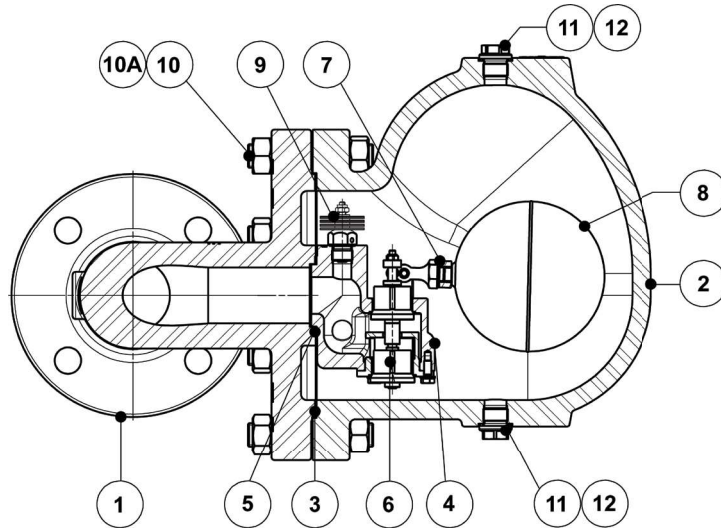
Body limiting conditions PN 40 or below, depending on the type of connection adopted.

FLOW RATE CAPACITY (kg/h)														
MODEL	SIZE	DIFFERENTIAL PRESSURE (bar)												
		0,5	1	1,5	2	4,5	7	10	12	14	16	21	25	32
FLT49-4,5	2" – DN 50	7550	11000	14000	15500	22500	–	–	–	–	–	–	–	–
FLT49-10	2" – DN 50	3900	5000	6100	7100	10000	13750	16000	–	–	–	–	–	–
FLT49-21	2" – DN 50	1900	2700	3100	3600	5000	6900	8100	9000	9800	10050	11150	–	–
FLT49-32	2" – DN 50	1900	2700	3100	3600	5000	6900	8100	9000	9800	10050	11150	12000	12550

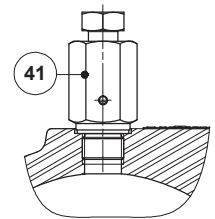


DIMENSIONS (mm)									
PN 40								CLASS 150	CLASS 300
SIZE	C	D	E	H*	F	G	WEIGHT (kg)	WEIGHT (kg)	WEIGHT (kg)
2" – DN 50	80	215	136	3/8"	230	352	40,8	39,9	40,4

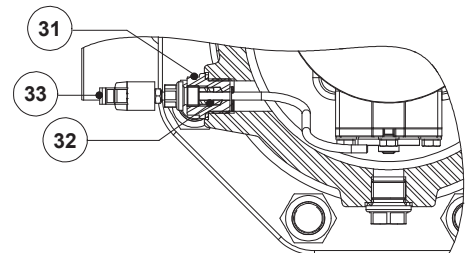
\* As standard, in versions with EN flanges, these connections are female threaded ISO 228. In versions with ASME flanges, these connections are female threaded NPT.



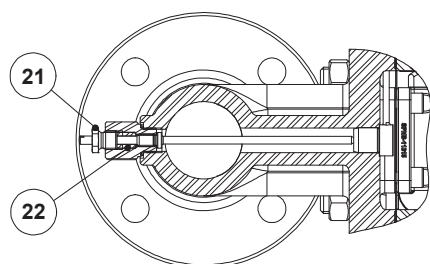
VB21M - Vacuum breaker



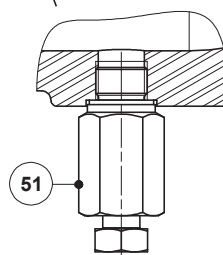
HVV - Hand vent valve



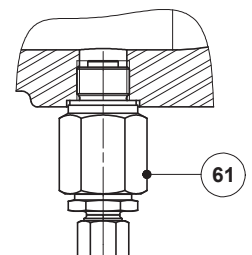
FLL - Float lifting lever



SLR - Steam lock release



BDV - Blowdown valve  
(Manual)

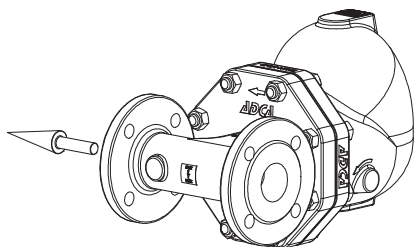


AFZ - Anti-freeze device  
(Automatic)

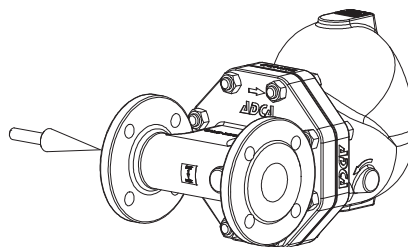
MATERIALS		
POS. N°	DESIGNATION	MATERIAL
1	Body	A351 CF8M / 1.4408
2	Cover	A351 CF8M / 1.4408
3	* Gasket	Stainless steel / Graphite
4	* Seat	A351 CF8 / 1.4308; A276-98B / 1.4057
5	* Gasket	Graphite
6	* Valve	AISI 316 / 1.4401; AISI 420 / 1.4021
7	* Lever	A351 CF8M / 1.4408
8	* Float	AISI 304 / 1.4301
9	* Automatic air vent	Stainless st. (bimetallic)
10	Studs	Stainless steel A2-70
10A	Nuts	Stainless steel A2-70
11	Plug	AISI 316L / 1.4404
12	** Gasket	Copper; AISI 304 / 1.4301
21	Steam Lock Release	AISI 420 / 1.4021 AISI 316L / 1.4404
22	Packing	Graphite
31	Lever mechanism	AISI 303 / 1.4305; AISI 304 / 1.4301; AISI 316L / 1.4404
32	Packing	Graphite
33	Lever	Plastic
41	Hand vent valve	AISI 303 / 1.4305; AISI 316L / 1.4404
51	Blowdown valve	AISI 303 / 1.4305; AISI 316L / 1.4404
61	Anti-freeze device	AISI 303 / 1.4305; AISI 316L / 1.4404
71	Vacuum breaker	AISI 303 / 1.4305
72	Adapter fitting	AISI 303 / 1.4305

\* Available spare parts; \*\* Not applicable in NPT version.

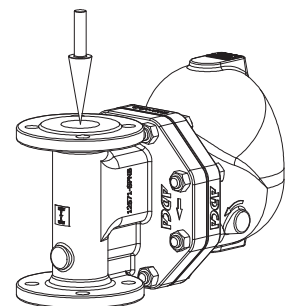
### FLOW DIRECTION



*IR - Horizontal from right to left*



*IL - Horizontal from left to right*



*IT - Vertical from top to bottom*

ORDERING CODES FLT49										
Model	A49	2	V	XX	X	X	IR	N	50	
FLT49 – A351 CF8M / 1.4408 stainless steel	A49									
<b>Differential pressure</b>										
4,5 bar		2								
10 bar		3								
21 bar		4								
32 bar		5								
<b>Automatic air vent</b>										
Bimetallic air vent (standard)			V							
None			X							
<b>Cover connections</b>										
None				XX						
3/8" threaded connections on top and bottom, closed with plugs (mandatory if any options are considered)				10						
<b>Options</b>										
If any, these have specific separate ordering codes, please refer to the appropriate documentation.										
<b>SLR - Steam lock release</b>										
None					X					
With steam lock release assembled					S					
<b>FLL - Float lifting lever</b>										
None						X				
Lifting lever on the right side (when facing the steam trap body)						R				
Lifting lever on the left side (when facing the steam trap body)						L				
<b>Flow direction</b>										
Horizontal from right to left (standard)							IR			
Horizontal from left to right							IL			
Vertical from top to bottom							IT			
<b>Pipe connections</b>										
Flanged EN 1092-1 PN 40								N		
Flanged ASME B16.5 Class 150								U		
Flanged ASME B16.5 Class 300								V		
<b>Size</b>										
2" or DN 50									50	
<b>Special valves / Extras</b>										
Full description or additional codes have to be added in case of a non-standard combination										E