

## FLOAT AND THERMOSTATIC STEAM TRAPS FLT32 (Cast steel DN 50HC)

### DESCRIPTION

The FLT32 float and thermostatic (integral air vent) steam traps series are designed for all types of low and high pressure steam heating and process equipment.

Typical applications include unit heaters, heat exchangers, driers, jacketed vessels and all the applications where continuous drainage is essential.

Connections are flanged for horizontal installation.

### MAIN FEATURES

Modulating discharge.

Discharges condensate at steam temperature.

Unaffected by sudden or wide load and pressure changes.

Excellent air discharge (by thermostatic air vent).

**OPTIONS:** SLR – steam lock release.  
Equalizing plug or vent connection.

**USE:** Saturated and superheated steam.

### AVAILABLE

**MODELS:** FLT32-4,5 , 10 , 14 and 21.

**SIZES:** 2"HC ; DN 50HC .

**CONNECTIONS:** Flanged EN 1092-1 PN40 or ANSI.

**INSTALLATION:** Standard horizontal installation –  
From right to left FLT32 (R-L).

Upon request:

-horizontal installation with the flow from left to right (L-R).

### MAX. DIFFERENTIAL PRESSURE

FLT32-4,5 : 4,5 bar

FLT32-10 : 10 bar

FLT32-14: 14 bar

FLT32-21: 21 bar

CE MARKING – GROUP 2 (PED – European Directive)	
PN40	Category
DN 50HC	1 (CE marked)



BODY LIMITING CONDITIONS		
FLANGED PN40 / ANSI 300 lb *	FLANGED ANSI 150 lb **	RELATED TEMPERATURE
ALLOW. PRESS.	ALLOW. PRESS.	
37,1 bar	15,4 bar	100 °C
33,3 bar	13,8 bar	200 °C
30,4 bar	12,1 bar	250 °C
27,6 bar	10,2 bar	300 °C

PMO – Max. operating pressure 32 bar

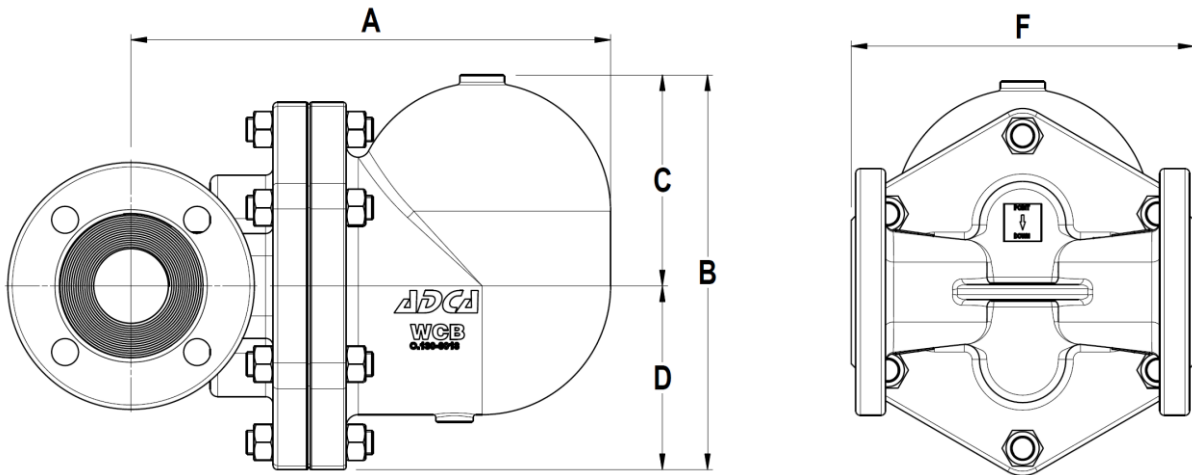
TMO – Max. operating temperature 250 °C

\*Acc. to EN1092-1:2018 ; \*\*Acc. to EN1759-1:2004

Body limiting conditions PN40 or below, depending on the type of connection adopted. Rating PN40 for thread, SW and BW.

FLOW RATE CAPACITY (kg/h)												
MODEL	SIZE DN	DIFFERENTIAL PRESSURE (bar)										
		0,5	1	1,5	2	4,5	7	10	12	14	16	21
FLT32-4,5	50HC	7550	11000	14000	15500	22500	–	–	–	–	–	–
FLT32-10	50HC	3900	5000	6100	7100	10000	13750	16000	–	–	–	–
FLT32-14	50HC	1900	2700	3100	3600	5000	6900	8100	9000	9800	–	–
FLT32-21	50HC	1900	2700	3100	3600	5000	6900	8100	9000	9800	10050	11150

DIMENSIONS (mm)												
PN16/40; ANSI 300 lb							ANSI 150 lb					
SIZE DN	A	B	C	D	E	WGT. (kg)	A	B	C	D	E	WGT. (kg)
50HC	321	264	141	123	230	37,5	321	264	141	123	230	35,7



MATERIALS		
POS. Nº	DESIGNATION	MATERIAL
1	Body	GP240GH / 1.0619
2	Cover	GP240GH / 1.0619
3	*Gasket	Stainless steel / Graphite
4	*Seat	CF8 / 1.4308
5	*Valve	AISI 420 / 1.4021
6	*Lever	AISI 304 / 1.4301
7	*Float	AISI 304 / 1.4301
8	*Air vent	Stainless st. (bimetallic)
9	Bolts	Steel 8.8

\* Available spare parts.

