

## INTERMITTENT BLOWDOWN VALVES VPA26/2

### DESCRIPTION

The VPA26/2 blowdown valve series were specially designed for application on steam boilers, to remove sludge sediments which naturally settle on the bottom of the boiler. These intermittent valves operate manually or automatically with timed control.

This valve is available with a diaphragm actuator and/or manual operation lever.

### MAIN FEATURES

- High quality hardened valve seat and plug.
- Manual or automatic intermittent timed control.
- Lockable in open position if supplied with manual operation lever.
- Practical foot operated lever.
- Maintenance free stem sealing.
- Tool-free quick exchangeable clamped-in seats, allowing fast and easy in-site maintenance procedures.

### OPTIONS AND

- ACCESSORIES:
- Air filter regulator.
  - Solenoid valve with timer control unit.
  - Mechanical limit switches.
  - Inductive limit switch box.
  - Water actuated version.

USE: Intermittent blowdown of steam boilers.

### AVAILABLE

- MODELS:
- VPA26/2S – Carbon steel construction.
  - VPA26/2I – Stainless steel construction.

VALVE SIZES: DN 20 to DN 50; 3/4" to 2".

- CONNECTIONS:
- Flanged EN 1092-1 PN40.
  - Flanged ANSI B 16.5 Class 300 lb.



BODY LIMITING CONDITIONS			
VPA26/2S PN40 * / ANSI 300 lb **		VPA26/2I PN40 *	
ALLOW. PRESSURE	RELATED TEMP.	ALLOW. PRESSURE	RELATED TEMP.
40 bar	-10 °C / 50 °C	40 bar	-10 °C / 50 °C
33,3 bar	200 °C	33,7 bar	200 °C
30,4 bar	250 °C	31,8 bar	250 °C
27,6 bar	300 °C	29,7 bar	300 °C
23,8 bar	400 °C	27,4 bar	400 °C

\* Rating according to EN1092-1:2018;

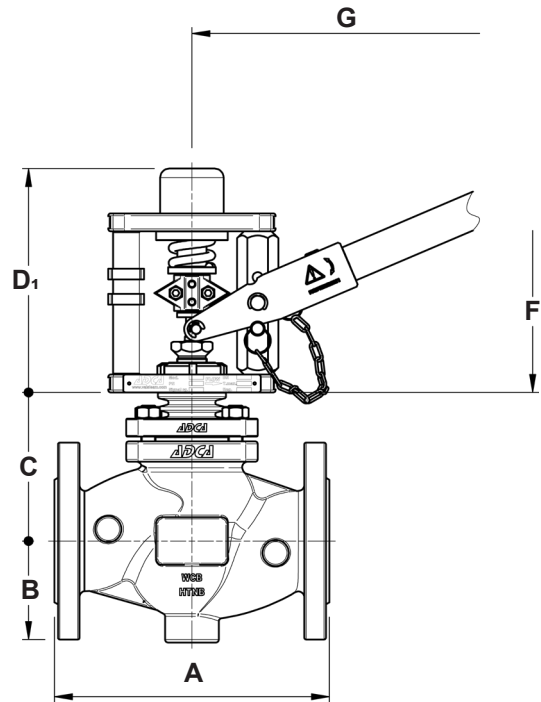
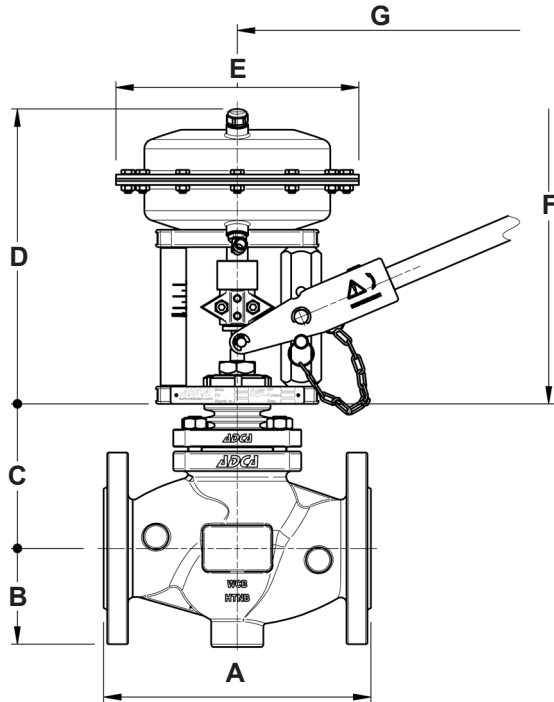
\*\* Rating according to EN1759-1:2004.

CE MARKING – GROUP 2 (PED – European Directive)	
PN40	Category
DN 20 to 32 – 3/4" to 1"	SEP
DN 40 to 50 – 1 1/2" to 2"	1 (CE Marked)

**DIMENSIONS (mm)**

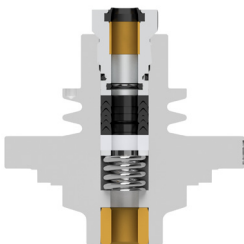
SIZE	A	B	C	D	D1	E	HAND LEVER		FOOT LEVER		WEIGHT (kg) *	WEIGHT (kg) **
							F	G	F	G		
DN 20 – 3/4"	150	53	104,5	252	188	210	216	415	211	417	15,1	11,5
DN 25 – 1"	160	58	109,5	252	188	210	216	415	211	417	15,9	12,4
DN 32	180	70	109,5	252	188	210	216	415	211	417	19,1	15,5
DN 40 – 1 1/2"	200	75	113	252	188	210	297	655	211	417	24,1	20,5
DN 50 – 2"	230	83	124,5	252	188	210	297	655	211	417	27,8	24,3

\* Valve with pneumatic actuator only; \*\* Valve with hand lever only.



**STEM SEALING**

**PTFE/GR V-RINGS**



Temperature range: -10 °C to 250 °C  
Material: PTFE/GR

**ACTUATOR DATA**

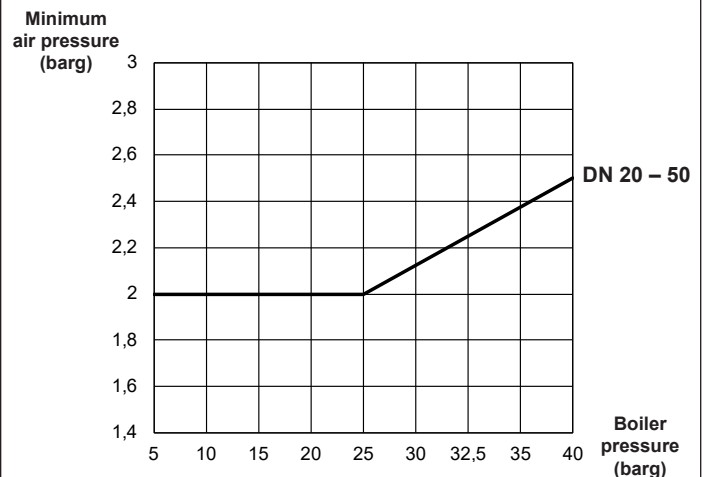
DIAPHRAGM AREA (cm <sup>2</sup> )	140
SPRING RANGE (bar)	0,7 – 1,2
STROKE (mm)	12
DEAD VOLUME (L)	0,3
TRAVEL VOLUME (L)	0,16
AMBIENT TEMPERATURE	-20 to 70 °C

**FLOW RATE COEFFICIENTS**

	SIZES				
	DN 20 – 3/4"	DN 25 – 1"	DN 32	DN 40 – 1 1/2"	DN 50 – 2"
<b>Kvs</b>	6,3	6,3	6,3	16	16

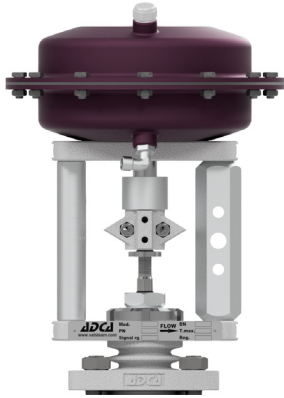
Kvs in m<sup>3</sup>/h. See IS PV10.00 E. For conversion Kvs = Cv (US) x 0,855.

**PERMISSIBLE DIFFERENTIAL PRESSURES**



VPA26/2 VERSIONS AND ACCESSORIES

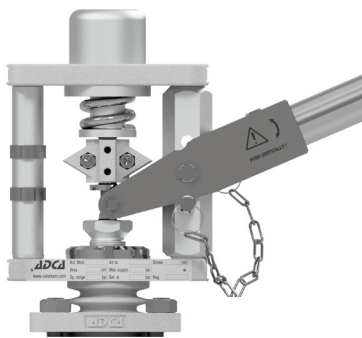
VALVE WITH  
 PNEUMATIC ACTUATOR ONLY



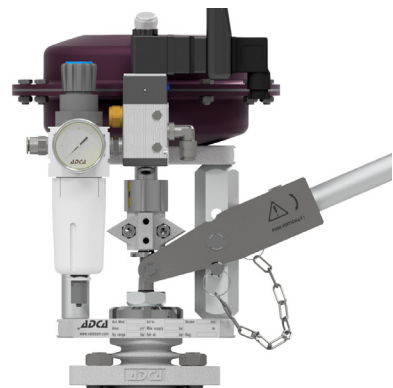
VALVE WITH PNEUMATIC ACTUATOR  
 AND MANUAL OPERATION LEVER



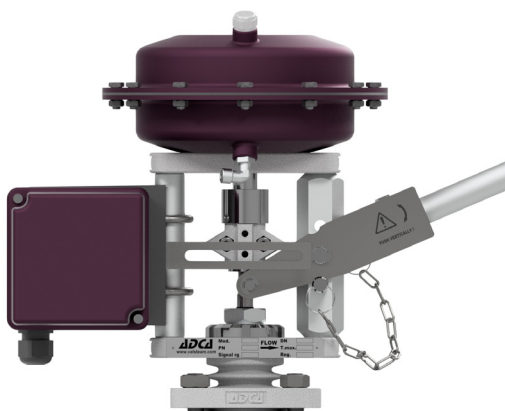
VALVE WITH  
 MANUAL OPERATION ONLY



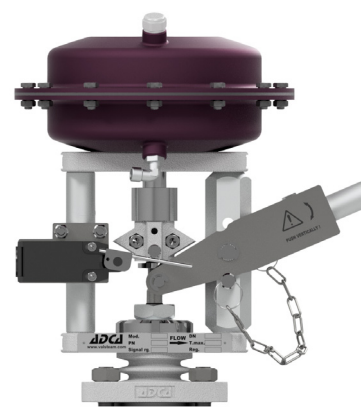
SOLENOID VALVE AND  
 AIR FILTER REGULATOR



INDUCTIVE LIMIT SWITCH BOX



MECHANICAL LIMIT SWITCHES



MANUAL OPERATION OPTIONS

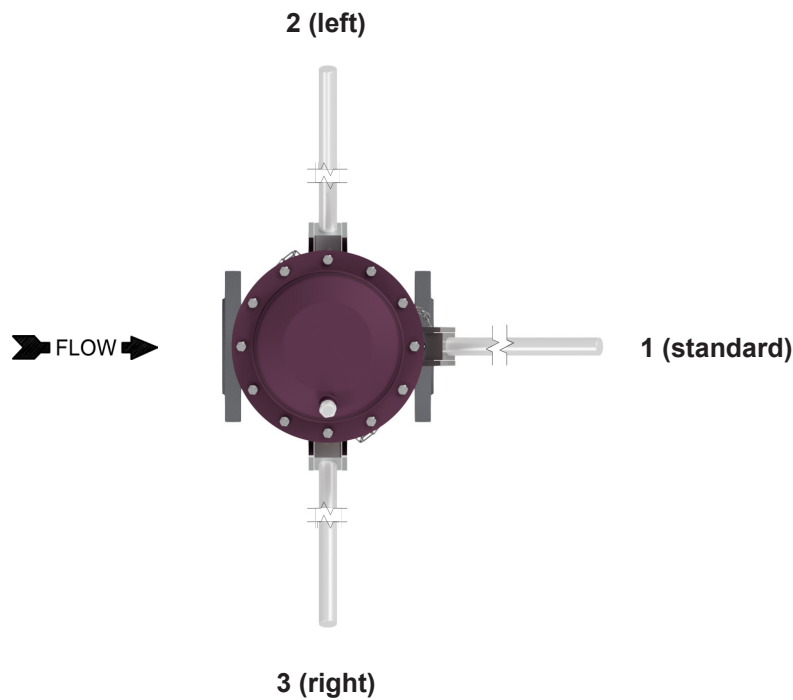
HAND LEVER



FOOT LEVER



LEVER ORIENTATION ALTERNATIVES

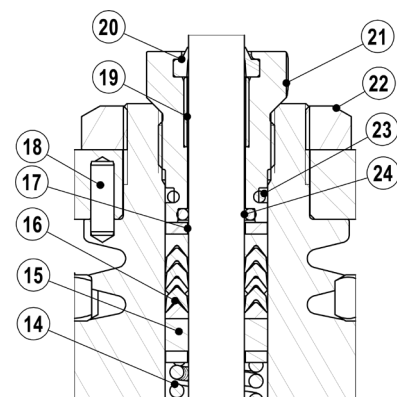
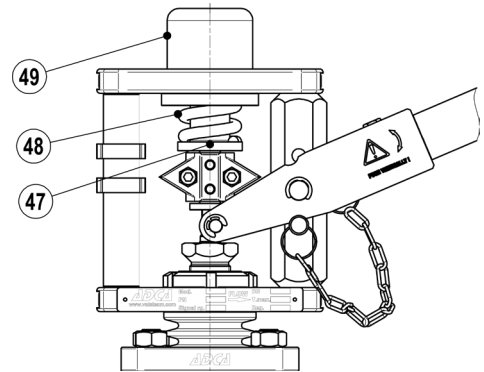
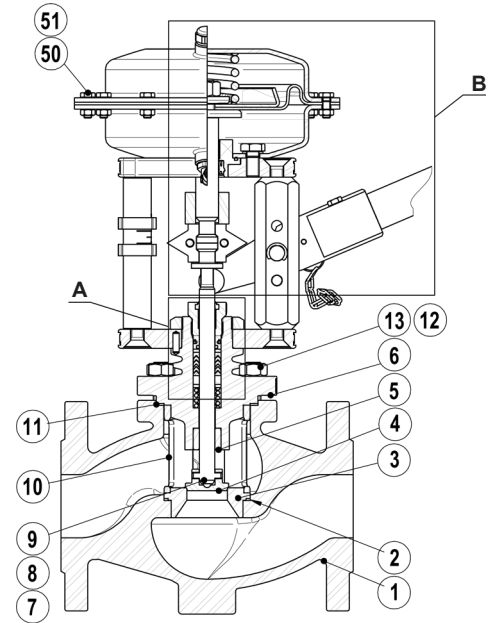


The manual operation lever can be supplied with different orientations to better suit the valve's installation position. Orientations not shown on the image above are available under request.

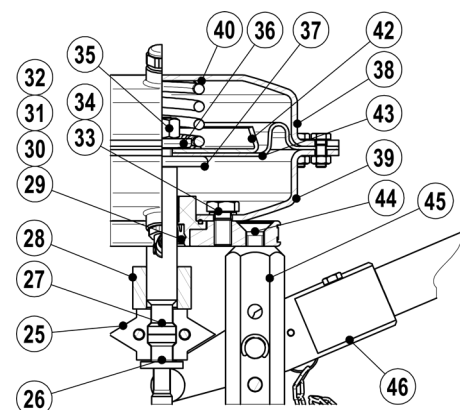
**MATERIALS**

POS.	DESIGNATION	MATERIAL
1	Valve body (Steel)	A216 WCB / 1.0619
	Valve body (Stainless steel)	A351 CF8M / 1.4408
2	Seat gasket	Stainless steel / Graphite
3	Seat	AISI 420 / 1.4034
4	Valve plug	AISI 440B / 1.4112
5	Stem guide bushing	Bronze
6	Bonnet	A351 CF8M / 1.4408
7	Ball	AISI 440C / 1.4125
8	Spring pin	AISI 301 / 1.4310
9	Stem	AISI 316L / 1.4404
10	Seat retainer	A351 CF8M / 1.4408
11	Gasket	Stainless steel / Graphite
12	Studs	34CrNiMo6 / 1.6582
13	Nuts	Steel 8.8
14	Spring	AISI 302 / 1.4310
15	Wiper ring	Stainless steel / PTFE
16	V-rings unit	PTFE/GR
17	Washer	AISI 304 / 1.4301
18	Cylindrical pin	AISI 303 / 1.4305
19	Plain bearing	Bronze / PTFE
20	Scraper ring	Viton
21	Gland nut	AISI 303 / 1.4305
22	Lock nut	A351 CF8 / 1.4308
23	O-ring	EPDM
24	O-ring	Viton
25	Coupling / Travel indicator	A351 CF8 / 1.4308
26	Adapter	AISI 304 / 1.4301
27	Stem	AISI 316 / 1.4401
28	Stroke limiter	AISI 304 / 1.4301
29	Seal ring	Polyurethane
30	Stem guide	AISI 304 / 1.4301
31	Plain bearing	Steel / PTFE
32	O-ring	NBR
33	Bolts	Steel 8.8
34	Washer	Steel 8.8
35	Nut	Steel 8.8
36	Upper diaphragm disc	C45E / 1.1191
37	Lower diaphragm disc	C45E / 1.1191
38	Upper actuator cover	S235JRG2 / 1.0038
39	Lower actuator cover	S235JRG2 / 1.0038
40	Springs	Spring steel
42	Diaphragm plate	S235JRG2 / 1.0038
43	Diaphragm	NBR 70
44	Bolts	Steel 8.8
45	Yoke	C45E / 1.1191
46	Lever assembly set	AISI 316 / 1.4401
47	Lower spring guide	C45E / 1.1191
48	Spring	Spring steel
49	Upper spring carrier	C45E / 1.1191
50	Bolts	Steel 8.8
51	Nuts	Steel 8.8

\* Available spare parts.



**Detail A**



**Detail B**

ORDERING CODES VPA26/2											
<b>Valve model</b>	VP26	2	S	AX	0	SX	1	FE	N	20	
Intermittent bottom blowdown valve, two way, straight body	VP26										
<b>Valve series</b>											
Series 2		2									
<b>Body material</b>											
WCB (1.0619) carbon steel			S								
CF8M (1.4408) stainless steel			I								
<b>Versions</b>											
Valve with actuator only				AX							
Valve with actuator and hand lever				AH							
Valve with actuator and foot lever				AF							
Valve with hand lever only				XH							
Valve with foot lever only				XF							
<b>Lever orientation</b>											
Without lever					0						
Standard position					1						
Lever rotated 90° to the left (relative to the flow direction)					2						
Lever rotated 90° to the right (relative to the flow direction)					3						
<b>Actuator</b>											
Steel construction						SX					
Stainless steel construction						IX					
Steel construction – water actuated						SW					
Stainless steel construction – water actuated						IW					
Without actuator						XX					
<b>Stem sealing</b>											
PTFE/GR V-rings							1				
<b>Kvs</b>											
Kvs 6,3 (available only for DN 20 to DN 32 and 3/4" to 1")								FE			
Kvs 16 (available only for DN 40 to DN 50 and 1 1/2" to 2")								FG			
<b>Pipe connection</b>											
Flanged EN 1092-1 PN40									N		
Flanged ANSI B 16.5 Class 300 lb a)									V		
<b>Size</b>											
DN 20 or 3/4"											20
DN 25 or 1"											25
DN 32											32
DN 40 or 1 1/2"											40
DN 50 or 2"											50
<b>Special valves / Extras</b>											
Full description or additional codes have to be added in case of a non-standard combination											E

a) Not available for CF8M (1.4408) stainless steel version.