

INTERMITTENT BLOWDOWN VALVES VPA26S

DESCRIPTION

The VPA26S blowdown valves series were specially designed for application on steam boilers, to remove the excess of dissolved solids, avoiding boiler damage, unstable water level control and other typical problems. The valves are provided with a diaphragm actuator suitable for compressed air motive fluid. The opening signal is supplied by an automatic intermittent control unit or manually (optional).

OPERATION

The valve can be operated manually or using a pneumatic actuator. Valve aperture depends from the boiler manufacturer specification (example: once a day during five seconds).

MAIN FEATURES

High quality hardened valve and seat.
Manual or automatic control.
Can be locked in the open position if supplied with the manual operation lever.

- OPTIONS:** Air filter regulator.
Solenoid valve with cycles timer.
Mechanical limit switch.
Water powered actuator.
Stainless steel construction.
- USE:** Intermittent blowdown of steam boilers.
- AVAILABLE MODELS:** VPA26S.
- VALVE SIZES:** DN 20 to DN 50.
- CONNECTIONS:** Flanged EN 1092-1.
- PNEUMATIC ACTUATORS:** PA205; PA280.
- ACTUATOR CONN:** 1/4" NPT-F.
- MAX. AIR / WATER SUPPLY PRESS.:** 3,5 bar.

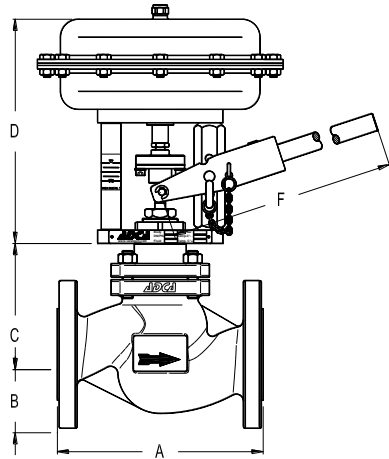


- AMBIENT TEMPERATURE:** -20°C to 70°C.
- STEM SEALING:** Graphite – up to 400°C (Extended bonnet).
- PLUG CHARACTER.:** PT – On-off.
- PORT:** Full port or reduced on request.
- HOW TO SELECT:**

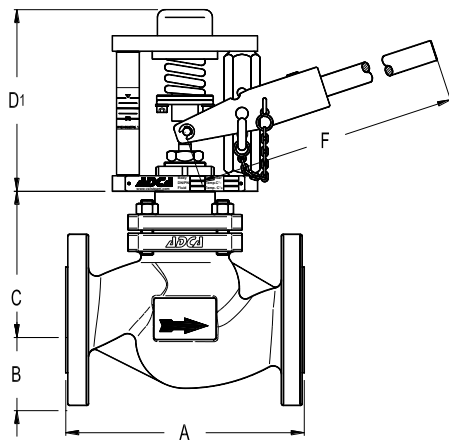
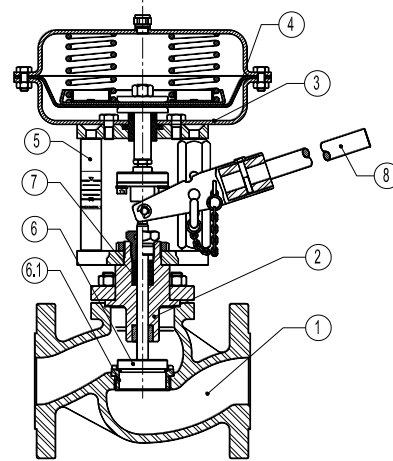
Never size the valve according to the pipe diameter in which it has to be fitted, but according to the required actual flow. Refer to the valve calculation data sheet or consult the factory.

BODY LIMITING CONDITIONS	
ALLOWABLE PRESSURE	RELATED TEMPERATURE
40 bar	-10 / 50°C
33,3 bar	200 °C
30,4 bar	250 °C
27,6 bar	300 °C
23,8 bar	400 °C

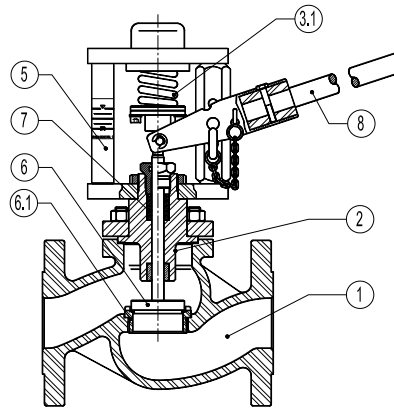
CE MARKING – GROUP 2 (PED – European Directive)	
PN40	Category
DN 20 to 32	SEP
DN 40 to 50	1 (CE marked)



VPA26S – with pneumatic actuator and manual operation



VPA26S – manual operation only



DIMENSIONS – VALVE BODY (mm)							
SIZE DN	A	B	C	D1	F	* WGT. (kg)	** WGT. (kg)
20	150	53	80	175	380	15	12
25	160	58	85	175	380	16	13
32	180	70	90	175	380	20	17
40	200	75	95	175	650	25	22
50	230	83	105	175	650	34	31

* Valve with pneumatic actuator; **Valve with manual lever only.

DIMENSIONS – ACTUATOR			
TYPE	E (mm)	D (mm)	WGT. (kg)
PA205	210	235	6
PA280	275	245	10

FLOW RATES COEFFICIENTS					
	SIZES				
	DN 20	DN 25	DN 32	DN 40	DN 50
Kvs	6	7,5	11	24	30

Kvs in m³/h. See IS PV10.00 E.

VALVE STROKE					
	SIZES				
	DN 20	DN 25	DN 32	DN 40	DN 50
STROKE	12	12	12	12	12

MATERIALS		
POS. Nº	DESIGNATION	MATERIAL
1	Valve body	ASTM A216WCB / 1.0619;
2	Bonnet	CF8 / 1.4308
3	* Actuator	Steel Fe410.1 ; Stainless steel
3.1	* Spring	Spring steel
4	* Diaphragm	NBR 70
5	Yoke	Carbon steel ; Stainless steel
6	* Valve plug	Hardened stainless steel
6.1	* Valve seat	Hardened stainless steel
7	* Packing	Graphite
8	Valve lever	Stainless steel / 1.4301

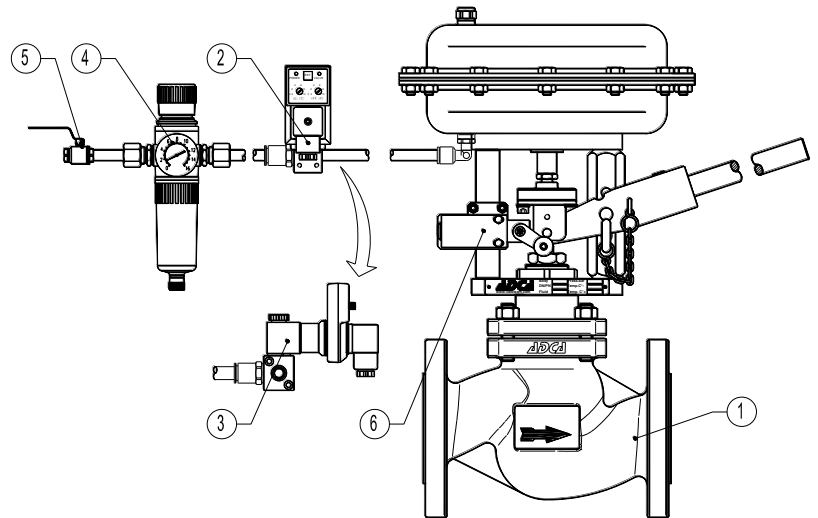
* Available spare parts.

MAX. PERM. PRESSURE DROP (bar) – N.C. (Fluid to close) – Reverse action actuator (air signal to open)						
ACTUATOR	CONTROL SIGNAL	SIZES				
		DN 20	DN 25	DN 32	DN 40	DN 50
PA205	0 ÷ 1 bar	25	25	25	25	15
PA280	0 ÷ 1 bar	–	–	–	25	25

Remarks: The pressure drop values refer to closed valves.
 Special spring drops available on request.
 Pressure drop values must be within the body rating limits.

TYPICAL INSTALLATION

MATERIALS	
POS. Nº	DESIGNATION
1	VPA26S blowdown valve
2	ADCA digital timer (with connector)
3	ADCA SV32 solenoid valve
4	ADCA P10 air filter regulator
5	Ball valve
6	Limit switch



Design with actuator and manual operation



Design with manual operation only