

**LINEAR ELECTRIC ACTUATORS
 TYPE EL
 EL12, EL20, EL45, EL80, EL120, EL250**

DESCRIPTION

Electric linear actuators EL series for modulating and open-close duty of control and process technology to operate control valves. The self-locking stem/stem nut is driven by an electric motor via a gearing. Load and limit switches define the stops for the end positions.

MAIN FEATURES

- Valve protection against excessive force due to load-dependent seating.
- Comfortable manual operation when disengaging the actuator motor.
- Mounting to valve made via yoke or mounting flange DIN 3358. The design enables easy connection to all types of valves. Standard version is suitable for Adcatrol valves.
- Generating a defined closing force in the end position leads to constantly tight shut-off of the valve.
- A robust metal cover protects efficiently against external contamination and manipulation.
- The actuators are in enclosure protection IP 65 (EL12 IP43) and are designed for rugged industrial use.
- Stall proof synchronous motors (or brake motors for higher positioning forces) ensure highest positioning accuracy.
- Mechanical stroke indication via anti-rotation bar.
- Exact, backlash-free measurement of actual valve stroke by direct coupling to the valve stem.
- Universally usable actuators due to control via 3-point-step controllers, analogue input signals (0...10 V, 0 (4)...20 mA), or fieldbus systems.
- Easy supplement to actuator with optional devices due to modular design.
- Limit switches, easily adjustable, for stroke limitation (not necessary for Adcatrol valves) or as signal for intermediate positions.
- Integrated, adjustable stroke setting to nominal stroke over the complete stroke range (without exchanging pinions, ...).
- Actuators with 230V (50Hz) and 220V (60Hz), have a tolerance of more or less 10%.



TECHNICAL DATA

TYPE	EL12	EL20	EL45	EL45.1	EL45.2
Positioning force (kN)	1,2	2,0	4,5	4,5	4,5
Positioning speed ^{a)} (mm/min ; mm/s)	8 ; 0,14	15 ; 0,25	17 ; 0,28	25 ; 0,4	50 ; 0,8
Power consumption – 230 V (W)	4	6,6	28	28	32
Nominal current – 230 V (A)	0,017	0,029	0,135	0,135	0,160
Type of motor ^{c)}	syn	syn	asyn	asyn	asyn
Motor protection ^{d)}	B				
Max. stroke (mm)	35	75 (standard: 50)			
Supply voltages ^{b)}	24 V / 115 V / 230 V / 400 V 50 / 60 Hz, 24 V DC				
Type of duty acc. to IEC 34-1	S1 – 100%		S4 – 30% c.d.f. 600 c/h		
Cable entry	3 x M16 x 1,5	2 x M16 x 1,5 and 1 dummy plug M16 x 1,5			
Electrical connection	Inside terminal board, terminal configuration according to electric connection wiring diagram				
Switch off in end position	2 load dependent switches, max. 250 V AC, rating for resistive load: max. 5 A, for inductive load: max. 3 A				
Mounting position	As desired, except downward position				
Ambient temperature	- 20 °C to 60 °C				
Lubricant for gearing	Klüber Mickrolube GL 261 grease				
Position indicator	by anti-rotation bar				
Manual adjustment	crank handle	side handwheel			
Enclosure protection acc. to EN 60529	IP43	IP65			
Trapezoidal thread	Tr 8 x 1,5	Tr 14 x 3			
Connection type	EN ISO 5210 F05				
Weight (kg)	2,1	8,0			

TYPE	EL80	EL80.1	EL80.2	EL120	EL120.1	EL120.2
Positioning force (kN)	8,0			12		
Positioning speed ^{a)} (mm/min ; mm/s)	13,5 ; 0,2	25 ; 0,4	50 ; 0,8	13,5 ; 0,2	25 ; 0,4	50 ; 0,8
Power consumption – 230 V (W)	25	34	152	25	34	152
Nominal current – 230 V (A)	0,11	0,15	0,78	0,11	0,15	0,78
Type of motor ^{c)}	syn	syn	asyn	syn	syn	asyn
Motor protection ^{d)}	B	B	T	B	B	T
Max. stroke (mm)	80					
Supply voltages ^{b)}	24 V / 115 V / 230 V / 400 V 50 / 60 Hz, 24 V DC					
Type of duty acc. to IEC 34-1	S4 – 30% c.d.f. 600 c/h					
Cable entry	2 x M16 x 1,5 and 1 dummy plug M16 x 1,5					
Electrical connection	Inside terminal board, terminal configuration according to electric connection wiring diagram					
Switch off in end position	2 load dependent switches, max. 250 V AC, rating for resistive load: max. 5 A, for inductive load: max. 3 A					
Mounting position	As desired, except downward position					
Ambient temperature	- 20 °C to 60 °C					
Lubricant for gearing	Klüber Mickrolube GL 261 grease					
Position indicator	by anti-rotation bar					
Manual adjustment	side handwheel					
Enclosure protection acc. to EN 60529	IP65					
Trapezoidal thread	Tr 20 x 3					
Connection type	DIN 3210 G0					
Weight (kg)	13,0					

TECHNICAL DATA		
TYPE	EL 250.1	EL 250.2
Positioning force (kN)	25	
Positioning speed ^{a)} (mm/min ; mm/s)	25 ; 0,4	50 ; 0,8
Power consumption – 230 V (W)	157	218
Nominal current – 230 V (A)	0,73	1,0
Type of motor ^{c)}	asyn	
Motor protection ^{d)}	T	
Max. stroke (mm)	100	
Supply voltages ^{b)}	24 V / 115 V / 230 V / 400 V 50 / 60 Hz, 24 V DC	
Type of duty acc. to IEC 34-1	S4 – 30% c.d.f. 600 c/h	
Cable entry	2 x M20 x 1,5 and 1 dummy plug M16 x 1,5	
Electrical connection	Inside terminal board, terminal configuration according to electric connection wiring diagram	
Switch off in end position	2 load dependent switches, max. 250 V AC, rating for resistive load: max. 5 A, for inductive load: max. 3 A	
Mounting position	As desired, except downward position	
Ambient temperature	- 20 °C to 60 °C	
Lubricant for gearing	Klüber Mickrolube GL 261 grease	
Position indicator	by anti-rotation bar	
Manual adjustment	side handwheel	
Enclosure protection acc. to EN 60529	IP65	
Trapezoidal thread	Tr 26 x 5	
Connection type	DIN 3210 G0	
Weight (kg)	19,0	

a) At 60 Hz, the positioning speed and input power increase by 20%.

b) Other supply voltages on request.

c) Syn – synchronous motor;

Asyn – asynchronous motor.

d) B – stallproof motor;

T – thermoswitch for temperature monitoring.

ACCESSORIES AND OPTIONS

Accessories	
Yoke for adaptation to valves. Refer to dimension sheet.	STALA / FLA
Mounting flange with central attachment Mxx. Refer to dimensions sheet (thrust rod must be secured against revolving).	ZFLA
Compact plug 10/24 poles with additional housing at actuator voltages ≤ 500 V.	KS
Special finnish coating for use in the tropics ("tropics coating").	LA-TR
Version IP65: with bellows at thrust rod and metal cover with seal (for EL12)	A-IP65
Version with bellows at thrust rod (for EL20, 45, 80 and 120).	A-FAB

Options	
Additional limit switches for signalling end positions or intermediate positions, freely adjustable, max. 250 V AC, rating for resistive load max. 5 A, for inductive load max. 3 A, max. 2 switches for EL20 and EL45, max. 4 switches for EL80 and EL120.	WE
Additional limit switches for signalling end positions or intermediate positions, freely adjustable, with gold-plated contacts for low voltage, max. 30 V AC, rating for resistive load max. 0.1 A, max. 2 switches for EL20 and EL45, max. 4 switches for EL80 and EL120.	WE-G
Potentiometer 100/130/200/500/1000/5000 Ohms or 10 kOhms Linearity error ± 0.5 %, max. 1.5 W, contact current 30 mA max. 2 pieces	POT
Electronic position feedback 2-/3-/4-wire system Inductive travel measuring, output 0 (4)...20 mA Connection 24 V DC (not possible for EL12)	ESR
Positioning electronics for actuator control Input 0...10 V, 0 (4)...20 mA, output 0...10 V, 0 (4)...20 mA Supply voltage 24, 115, 230 V 50/60 Hz	PEL
Heating resistor with thermoswitch against moisture with automatic temperature regulation, max. 15 Watts Supply voltage 24, 115, 230 V 50/60 Hz	HZWP

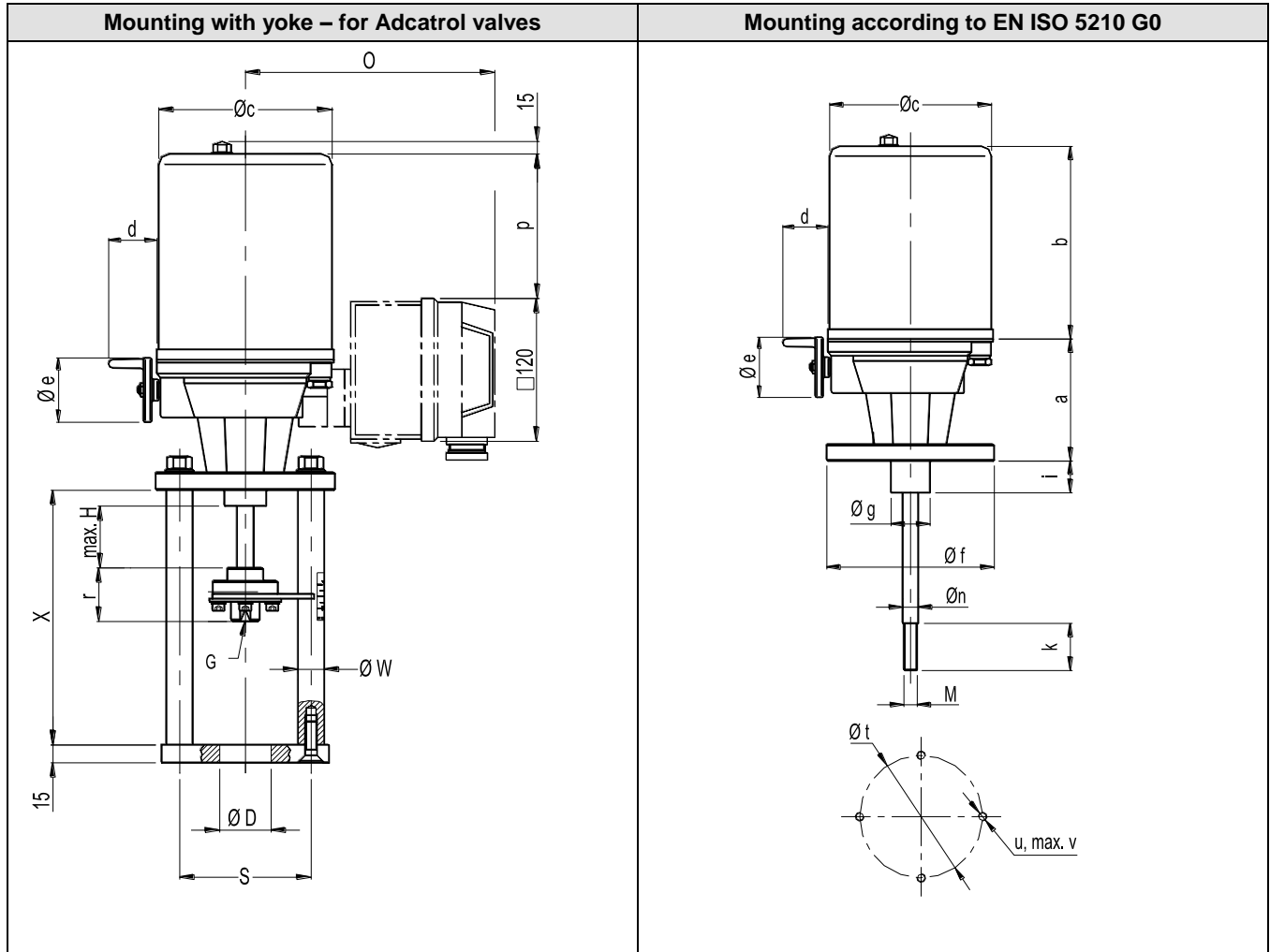
ELECTRICAL CONNECTION

3 ~ asynchronous motor with brake and thermoswitch	1 ~ asynchronous motor with brake and thermoswitch	Synchronous motor with thermoswitch	synchronous motor	Basic wiring diagram including options	
					<p>Switch off in end position via two load-dependant switches to control e.g. three-way mixing valves.</p>
					<p>Switch off in end position via a load-dependent switch and a limit switch to control e.g. full-way valves without upper stop. Monitoring blocking in OPEN direction.</p>
					<p>Control of three-phase actuators with thermoswitch. Switch off in end position via two load-dependant switches to control e.g. three-way mixing valves. For motors without thermoswitch, the wiring to terminal 4 and 5 is not applicable.</p>
					<p>Control of three-phase actuators with thermoswitch. Switch off in end position via a load-dependent switch and a limit switch to control e.g. full-way valves without upper stop. Monitoring blocking in OPEN direction. For motors without thermoswitch, the wiring to terminal 4 and 5 is not applicable.</p>

- WE Limit switch
- HZ Heater with thermoswitch
- POT Potentiometer
- ESR Electronic position feedback
- PEL Positioning electronics
- WSE External reversing contactor unit
- REG Process controller

DIMENSIONS

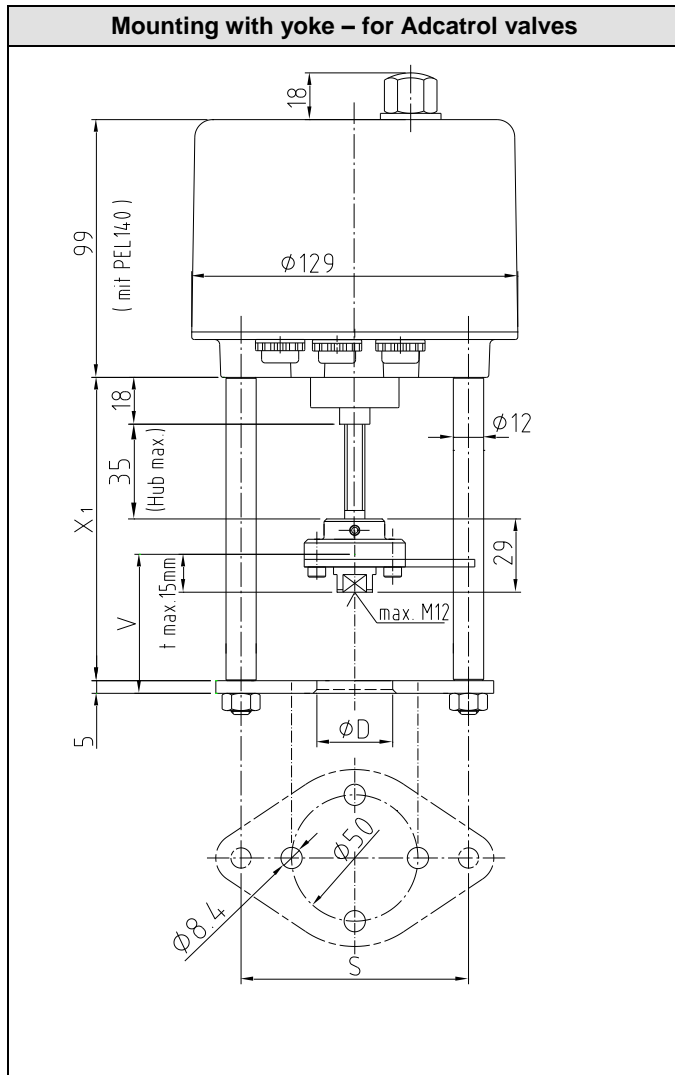
EL20 - EL45- EL80 – EL120



DIMENSIONS (mm)							
TYPE	EL20 – EL45	EL80 – EL20	EL250	TYPE	EL20 – EL45	EL80 – EL20	EL250
a	94,5	130	190	v			
b	173	197	226	H	Actuators stroke (see technical data)		
Ø c	145	188	216	o	210	220	240
d	42	69	70	p	115	179	164
Ø e	54	100	100	r	45	45	51
Ø f	74	130	130	Ø w	22	22	22
Ø g	35f8	60	60	M		M16 x 1,5	M20 x 1,5
i	3	26	3	max. G	M20	M20	M20
k		16	22	Ø D	Ø 40, Ø 45	Ø 40, Ø 45	Ø 45, Ø 65
n	14	20	26	G	M10	M10	M16
Ø t	50	102	102	S	110 (100)	110 (100)	125
u	M6	M10	M10	X	190 - 228		235

DIMENSIONS

EL12



TYPE	EL
Ø D	40
S	100
X1	160
X2	55

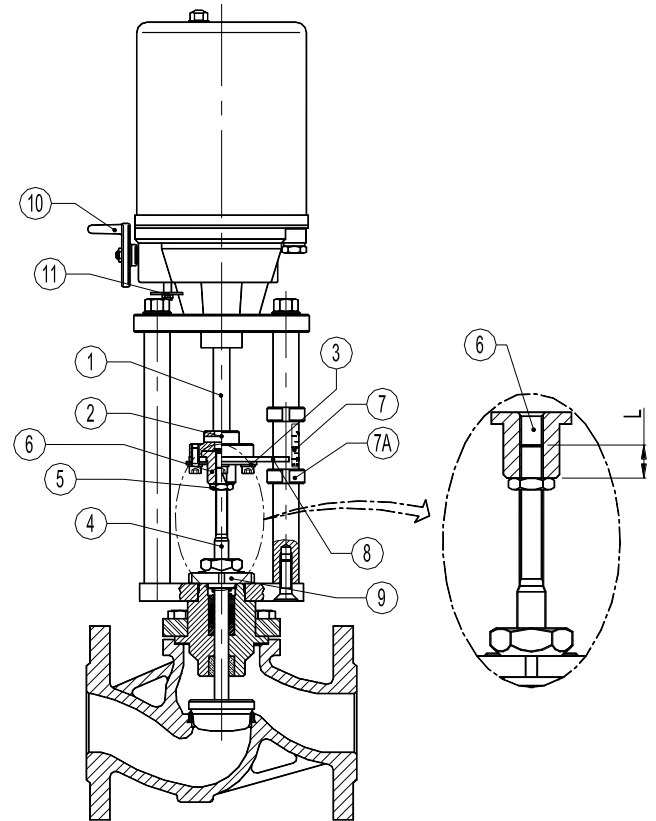
COMBINATION WITH A CONTROL VALVE (short instructions)

On delivery, the driving rod (1) is driven out to the bottom end limit (anti-rotation flange at bottom mark).

Further procedure:

- Insert valve stem (4) into the valve all the way to limit stop
- Move the driving rod (1) up by rotating the hand wheel anti-clockwise by about 20 mm (see manual operation).
- Lift the actuator and yoke over the valve stem, place onto the top of the valve and secure using the mounting nut (9)
- Unscrew the locking plate (3) and the anti-rotation flange (8) in succession from the coupling flange (2) and allow it to fall over the stem.
- Remove the threaded socket (6) from the coupling flange and screw it onto the stem according to dimension L from table 1.
- Drive out the rod by rotating the handwheel clockwise until the threaded socket (6) stops in the coupling flange (2).
- Screw the anti-rotation flange (8) and the locking plate (3) onto the coupling flange.
- Tighten the stem with the nut (5) against the threaded socket.
- When mounting pay attention that the valve plug is not pressed onto the seat and is not turned.

For electrical connections please report to IMI EL20.00



MANUAL OPERATION

The manual adjustment must not be disengaged or engaged while the motor is running.

Execute the manual adjustment only with motor being at standstill, hereto:

- With the left hand press the disengaging rod (11) with plate in direction of the outgoing driving rod toward the bottom
- Simultaneously turn the handwheel (10) with the right hand until the coupling-in has sensible been executed
- To actuate the linear actuator now turn the handwheel, hold the disengaging rod with the plate in engaged position

Turning crank handle to the right (clockwise), the driving rod moves out of the actuator

Turning crank handle to the left (anti-clockwise), the driving rod moves into the actuator

(The linear actuator is automatically switched back to motoric operation, as soon as the disengaging rod will be released).

(L) DIMENSIONS (mm)												
VALVE TYPE	DN 15	DN 20	DN 25	DN 32	DN 40	DN 50	DN 65	DN 80	DN 100	DN 125	DN 150	DN 200
EV16G	18	18	18	13	12	14	25	25	19	-	-	-
EV40S	18	18	18	13	12	14	25	25	19	-	-	-

ACTUATOR SELECTION FOR TWO WAY VALVES TYPES EV16G, EV25G AND EV40S												
ACTUATOR TYPE	DIFFERENTIAL PRESSURES (bar)											
	DN 15	DN 20	DN 25	DN 32	DN 40	DN 50	DN 65	DN 80	DN 100	DN 125	DN 150	DN 200
EL12	38	20	12	6,5	3,5	1,8	-	-	-	-	-	-
EL20	40	40	28	16	9,9	5,8	3	1,7	0,6	-	-	-
EL45	40	40	40	40	29,8	18,5	10,5	6,6	3,8	-	-	-
EL80	40	40	40	40	40	36,4	21	13,6	8,2	-	-	-
EL120	-	-	-	-	40	40	33,1	21,6	13,3	8,3	5,6	3
EL250	-	-	-	-	-	-	40	40	30,2	19,1	12,1	5,5

Remarks: V-rings stem packing.

ACTUATOR SELECTION FOR THREE WAY VALVES TYPES EV253G AND EV403S

ACTUATOR TYPE	DIFFERENTIAL PRESSURES (bar)											
	DN 15	DN 20	DN 25	DN 32	DN 40	DN 50	DN 65	DN 80	DN 100	DN 125	DN 150	DN 200
EL12	25	22	13,2	7,1	3,8	1,9	-	-	-	-	-	-
EL20	25	25	25	17,3	10,8	6,6	3,4	2	1,1	-	-	-
EL45	-	-	-	25	25	19,8	11,6	7,3	3,8	2,4	1,5	-
EL80	-	-	-	-	25	25	23,1	14,8	8,9	5,5	3,6	-
EL120	-	-	-	-	25	25	25	23,1	14,5	9,1	6,1	-
EL250	-	-	-	-	-	-	-	-	-	-	-	-

ORDERING CODES EL – ELR

ACTUATOR CODES	E.				
Group designation					
EL series electric linear actuator	E.				
Valve model					
V25G, V25S, V25I		25			
V40S, V40I, WV40I		40			
V253G		23			
Valve size (1)					
DN 15 to DN 50			D.		
DN 65 to DN 100			J.		
DN 125 to DN 200			M.		
Actuator type					
EL12				12	
EL20				20	
EL45				40	
EL45.1				41	
EL45.2				42	
EL80				60	
EL80.1				61	
EL80.2				62	
EL120				70	
EL120.1				71	
EL120.2				72	
EL250				80	
EL250.1				81	
EL250.2				82	
ELR2.1				2A	
ELR2.2				2B	
ELR2.3				2C	
Actuator voltage					
230 VAC					1
115 VAC					2
24 VAC					3
24 VDC					4
400 V3~					5
Control signal					
Actuator without positioner (standard)					(2)
4 – 20 mA with positioner PEL (not for DC)					3
0 – 10 V with positioner PEL (not for DC)					4
Positioner PEL (DC)					5

→ To be introduced on ".X.", if supplied in combination with the valve.

Example:

V25G valve model, EQP soft plug, PTFE/GR stem sealing, DN 50, complete with 230V electric actuator EL20 with positioner for 4 – 20 mA signal:

Code: EV.25G11L50.2013

REMARKS:

- (1) – Omitted if the valve's size is already indicated in the code (to avoid redundancy).
- (2) – Omitted if the standard valve is selected.