

## VACUUM BREAKER VB16C

### DESCRIPTION

The VB16C vacuum breakers are simple and reliable devices that automatically relieve or “break” an unwanted vacuum condition, restoring the atmospheric pressure.

This device is particularly suitable for steam heated units of small and medium volume, such as heat exchangers, heating coils, calorifiers, jacketed kettles, steam boilers, etc.

### STANDARD SURFACE FINISH

Internal wetted parts:  $\leq 0,51$  micron Ra – SF1.

External:  $\leq 0,76$  micron Ra – SF3.

Other surface conditions see IS PV20.00 E – Technical information.

Ultrasonic cleaning.

**OPTIONS:** Different types of connections.

**USE:** Saturated steam and other gases compatible with the construction.

### AVAILABLE

**MODELS:** VB16C.

**SIZES:** 1” – DN 25.

### SET PRESSURE

**RANGES:** 0,05 – 0,10 bar; 0,09 – 0,20 bar; 0,19 – 0,30 bar; 0,29 – 0,40 bar; 0,39 – 0,50 bar.

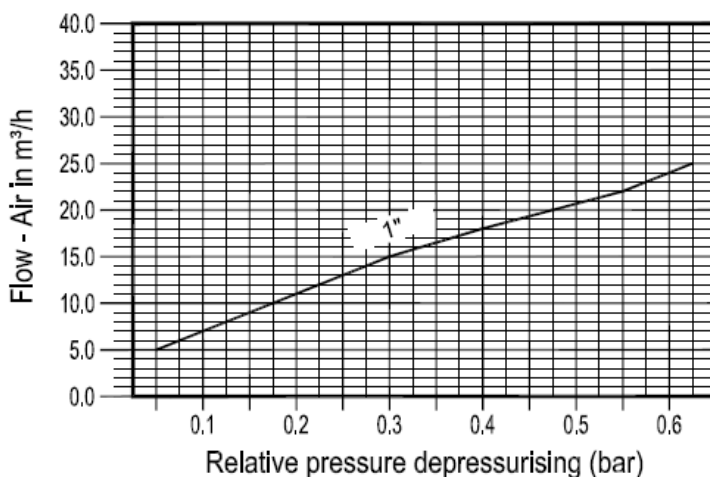
**CONNECTIONS:** ASME BPE, DIN and ISO.  
Clamp ferrules or others on request.

**PACKAGING:** Assembling and packaging in a clean room certified according to ISO 14644-1.  
The product is end capped and sealed with recyclable thermo-shrinkable plastic film, to avoid contamination.

**INSTALLATION:** Vertical installation.  
See IMI, installation and maintenance instructions.



CAPACITY CHART



### LIMITING CONDITIONS

Body design conditions	PN16
Maximum operating pressure	13 bar @ 38 °C
Maximum operating steam pressure	6 bar
Max. operating temp. (steam and water)	170 °C
Maximum operating temperature (air)	150 °C
Minimum operating temperature	- 10 °C

### CE MARKING (PED – European Directive)

PN16	Category
1” – DN 25	SEP

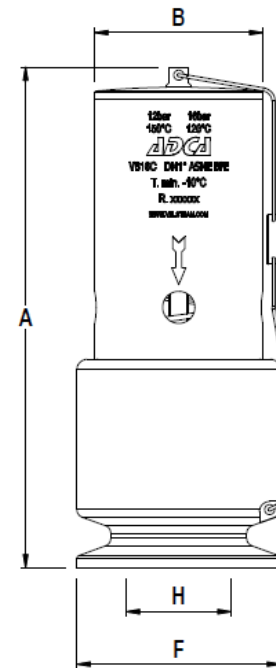
DIMENSIONS (mm) ASME BPE					
SIZE	A	B	F	H	WGT. (kg)
1"	120	42	50,5	22,1	0,85

DIMENSIONS (mm) DIN					
SIZE DN	A	B	F	H	WGT. (kg)
25	120	42	50,5	26	0,85

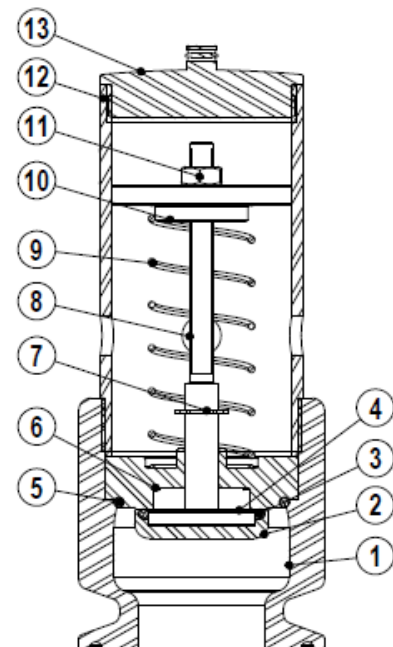
Clamp ferrules DIN 32676 Series A.

DIMENSIONS (mm) ISO					
SIZE DN	A	B	F	H	WGT. (kg)
25	120	42	50,5	29,7	0,85

Clamp ferrules DIN 32676 Series B.



MATERIALS		
POS. N°	DESIGNATION	MATERIAL
1	Body	AISI 316L / 1.4404
2	* Valve plug	AISI 316L / 1.4404
3	* O-ring	High performance EPDM
4	* Plug disc	AISI 316L / 1.4404
5	* O-ring	High performance EPDM
6	Seat	AISI 316L / 1.4404
7	* Retaining washer	Stainless steel A2 – 70
8	* Stem	AISI 316L / 1.4404
9	* Spring	AISI 302 / 1.4300
10	Spring guide	AISI 316L / 1.4404
11	Nut	Stainless steel A2 – 70
12	Spring cover	AISI 316L / 1.4404
13	Top cover	AISI 316L / 1.4404



\* Available spare parts;

FDA / USP Class VI seals certificate on request.

All valves have a serial number. In case of non standard valves this number must be supplied if spare parts are ordered.