

THERMOSTATIC STEAM TRAPS AND AIR ELIMINATORS TH21SS (Stainless steel)

DESCRIPTION

The TH21SS series thermostatic steam traps and air eliminators are specifically designed for use on process equipment such as kettle cookers, sterilizers, food, chemical and laundry equipment. Connections are female screwed or flanged.

MAIN FEATURES

Modulating discharge.
Discharges condensate close to steam temperature.
Thermostats for different sub cooling (5 °C to 30 °C).
Excellent air discharge.
Operates on moderate superheated steam.
Built-in strainer.

OPTIONS: LC – low capacity.
USE: Saturated steam.
AVAILABLE MODELS: TH21SS, TH21SSLC, TH21/2SS.
SIZES: 1/2" to 1"; DN 15 to DN 25.
CONNECTIONS: Female screwed ISO 7/1 Rp (BS21).
Flanged EN 1092-1 PN40 or ANSI.
INSTALLATION: Horizontal installation recommended, can be installed in any position.



TH21SS



TH21/2SS

CE MARKING (PED – European Directive)	
PN40	Category
1/2" to 1" – DN 15 to 25	SEP

BODY LIMITING CONDITIONS		
FLANGED PN40 / ANSI 300 lb *	FLANGED ANSI 150 lb **	RELATED TEMP.
ALLOWABLE PRESS.	ALLOWABLE PRESS.	
40 bar	16 bar	100 °C
33,7 bar	13,6 bar	200 °C
31,8 bar	12 bar	250 °C
29,7 bar	10,2 bar	300 °C

PMO – Max. operating pressure 21 bar;

TMO – Max. operating temperature 250 °C.

* Acc. to EN 1092-1:2018; ** Acc. to EN 1759-1:2004.

Body limiting conditions PN40 or below, depending on the type of connection adopted. Rating PN40 for thread.

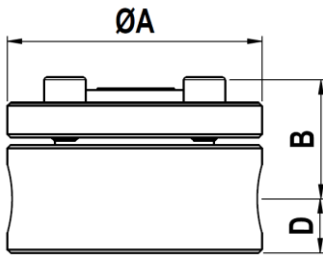
FLOW RATE CAPACITY (kg/h)																
MODEL	SIZE	DIFFERENTIAL PRESSURE (bar)														
		0,2	0,3	0,5	1	1,5	2	3	4	6	8	10	13	15	20	21
TH21SS	1/2" to 1" DN 15 to 25	70	120	140	255	330	385	455	510	600	670	700	720	750	775	795
TH21SSLC	1/2" to 1" DN 15 to 25	45	55	70	95	125	135	180	200	270	315	330	360	370	405	415
TH21/2SS	1" – DN 25	140	240	280	510	660	770	910	1020	1200	1340	1400	1440	1500	1550	1590

Capacities shown refer to condensate at 10 °C below saturated steam temperature (standard type S thermostat).

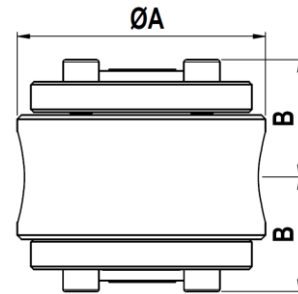
Thermostats for 5 °C (type H) and 30 °C (type L) also available. Capacities for cold condensate discharge at 20 °C are two to three times greater.

DIMENSIONS (mm)										
Screwed				PN16/40		ANSI 150 lb		ANSI 300 lb		
Size	A	B	D	WGT. (kg) *	E	WGT. (kg) *	E	WGT. (kg) *	E	WGT. (kg) *
1/2" – DN 15	80	35	17	1,8	150	3,3	150	2,8	150	3,6
3/4" – DN 20	80	37	20	1,9	150	4,1	150	3,2	150	4,8
1" – DN 25	80	40	23	2,1	160	5,1	160	4,3	160	5,9

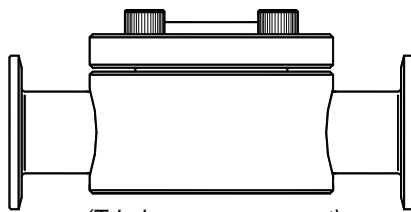
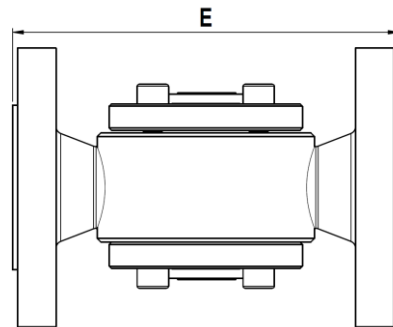
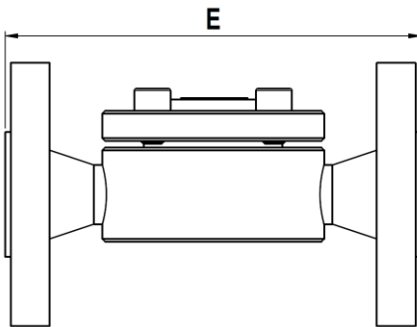
* Additional weight for the TH21/2: 0,15 kg.



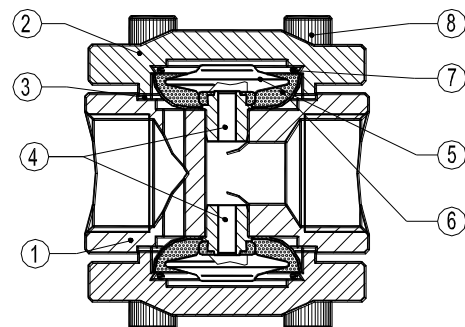
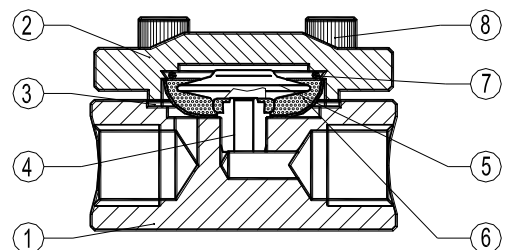
TH21SS



TH21/2SS (Only DN 25 – 1")



(Tri-clamp – on request)



MATERIALS		
POS. Nº	DESIGNATION	MATERIAL
1	Body	AISI 316 / 1.4401
2	Cover	AISI 316 / 1.4401
3	* Gasket	St. steel / Graphite
4	* Valve seat	AISI 304 / 1.4301
5	* Thermostatic element	Stainless steel
6	* Strainer screen	AISI 304 / 1.4301
7	* Spring	AISI 302 / 1.4300
8	Bolts	St. steel A2-70

* Available spare parts.