

THERMOSTATIC STEAM TRAPS AND AIR ELIMINATORS TH32Y – TH32Y/CK

DESCRIPTION

The TH32Y series thermostatic steam traps and air eliminators are specifically designed for use on process equipment such as kettle cookers, sterilizers, food, chemical and laundry equipment. Connections are female screwed or flanged.

MAIN FEATURES

Modulating discharge.
Discharges condensate close to steam temperature.
Thermostats for different sub cooling (5 °C to 30 °C).
Excellent air discharge.
Operates on moderate superheated steam.
Built-in strainer.

OPTIONS: LC – low capacity.
Integral check valve.
Blowdown valve.

USE: Saturated steam.

AVAILABLE MODELS: TH32Y, TH32Y-CK (with check valve).

SIZES: 1/2" to 1"; DN 15 to DN 25.

CONNECTIONS: Female screwed ISO 7/1 Rp (BS21).
Flanged EN 1092-1 PN40 or ANSI.

INSTALLATION: Horizontal installation recommended, can be installed in any position.
See IMI – Installation and maintenance instructions.



CE MARKING – GROUP 2 (PED – European Directive)	
PN40	Category
1/2" to 1" – DN 15 to 25	SEP

BODY LIMITING CONDITIONS		
FLANGED PN40 / ANSI 300 lb *	FLANGED ANSI 150 lb **	RELATED TEMP.
ALLOW. PRESS.	ALLOW. PRESS.	
40 bar	19,3 bar	50 °C
35 bar	15,8 bar	150 °C
30,4 bar	12,1 bar	250 °C
27,6 bar	10,2 bar	300 °C

PMO – Max. operating pressure 22 bar

TMO – Max. operating temperature 250 °C

* According to EN1092-1:2018; ** Acc. to EN1759-1:2004;
Body limiting conditions PN40 or below, depending on the type of connection adopted.

Rating PN40 for thread, SW and BW.

FLOW RATE CAPACITY (kg/h)																
MODEL	SIZE	DIFFERENTIAL PRESSURE (bar)														
		0,2	0,3	0,5	1	1,5	2	3	4	6	8	10	13	15	20	22
TH32Y	1/2" to 1" DN 15 – 25	70	120	140	255	330	385	455	510	600	670	700	720	750	775	795
TH32YLC	1/2" to 1" DN 15 – 25	45	55	70	95	125	135	180	200	270	315	330	360	370	405	415

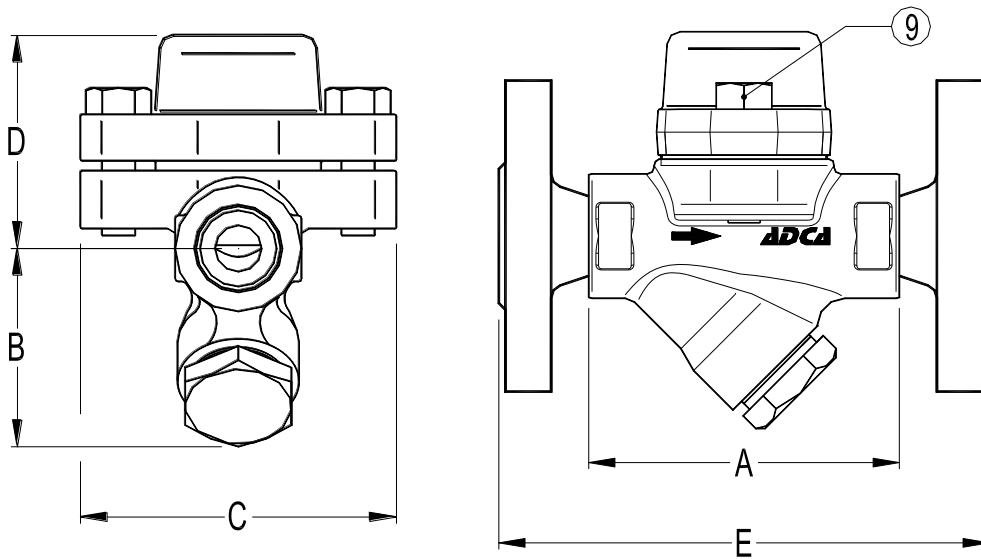
Capacities shown refer to condensate at 10 °C below saturated steam temperature (standard type S thermostat).

Thermostats for 5 °C (type H) and 30 °C (type L) also available.

Capacities for cold condensate discharge at 20 °C are two to three times greater.

DIMENSIONS (mm)											
Screwed and SW *						PN16/40		ANSI 150 lb		ANSI 300 lb	
Size	A	B	C	D	WGT. (kg)	E	WGT. (kg)	E	WGT. (kg)	E	WGT. (kg)
1/2" – DN 15	95	59	95	65	1,6	150	3,2	150	2,7	150	3,5
3/4" – DN 20	95	59	95	65	1,6	150	3,9	150	3,1	150	4,7
1" – DN 25	95	65	95	65	1,8	160	4,7	160	4,3	160	5,9

* BW (butt weld) on request.



MATERIALS		
POS. Nº	DESIGNATION	MATERIAL
1	Body	P250GH / 1.0460
2	Cover	P250GH / 1.0460
3	* Gasket	Stainless steel / Graphite
4	* Valve seat	AISI 304 / 1.4301
5	* Thermostatic element	Stainless steel
6	* Strainer screen	AISI 304 / 1.4301
7	* Gasket	Stainless steel / Graphite
8	* Strainer cover	A 105 / 1.0432
9	Bolts	A2-70

* Available spare parts.

