

THERMOSTATIC STEAM TRAPS AND AIR VENTS TH32i

DESCRIPTION

The TH32i series thermostatic steam traps and air vents are specifically designed for use on process equipment such as kettle cookers, sterilizers, food, chemical and laundry equipment.

MAIN FEATURES

- Modulating discharge.
- Discharges condensate close to steam temperature.
- Thermostats for different sub cooling (5 °C to 30 °C).
- Excellent air discharge.
- Operates on moderate superheated steam.
- Built-in strainer.

OPTIONS: LC – low capacity.
Integral check valve.
Blowdown valve.

USE: Saturated steam.

AVAILABLE MODELS: TH32i – stainless steel.
TH32i-CK – stainless steel, with check valve.

SIZES: 1/2" to 1"; DN 15 to DN 25.

CONNECTIONS: Female threaded ISO 7 Rp or NPT.
Flanged EN 1092-1 PN 40.
Flanged ASME B16.5 Class 150 or 300.
Socket weld (SW) ASME 16.11.
Butt weld (BW) ASME B16.25 on request.

INSTALLATION: Horizontal installation recommended, can be installed in any position.
See IMI – Installation and maintenance instructions.



CE MARKING – GROUP 2 (PED – European Directive)

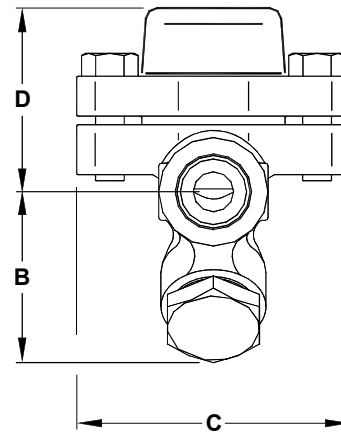
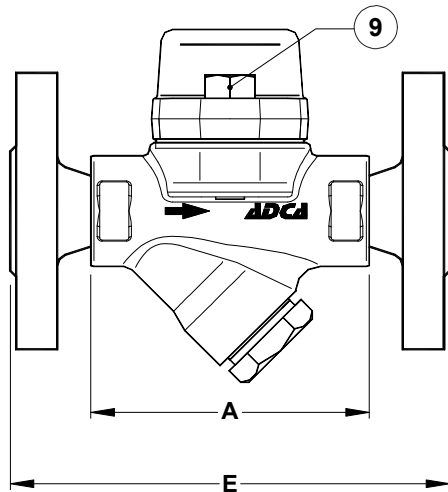
| PN 40 | Category |
|--------------------------|----------|
| 1/2" to 1" – DN 15 to 25 | SEP |

| BODY LIMITING CONDITIONS | | | |
|--------------------------|----------------------|----------------------|--------------|
| FLANGED PN 40 * | FLANGED CLASS 150 ** | FLANGED CLASS 300 ** | RELAT. TEMP. |
| ALLOW. PRESSURE | ALLOW. PRESSURE | ALLOW. PRESSURE | |
| 40 bar | 15,3 bar | 39,9 bar | 50 °C |
| 34,4 bar | 12 bar | 31,3 bar | 150 °C |
| 29,9 bar | 10,2 bar | 26,6 bar | 250 °C |
| 27,6 bar | 9,7 bar | 25,2 bar | 300 °C |

PMO – Max. operating pressure: 22 bar.
TMO – Max. operating temperature: 250 °C.
* Acc. to EN 1092-1:2018. ** Acc. to EN 1759-1:2004.
Body limiting conditions PN 40 or below, depending on the type of connection adopted. Rating PN 40 for threaded, SW and BW versions.

| FLOW RATE CAPACITY (kg/h) | | | | | | | | | | | | | | | | |
|---------------------------|---------------------------|-----------------------------|-----|-----|-----|-----|-----|-----|-----|-----|-----|-----|-----|-----|-----|-----|
| MODEL | SIZE | DIFFERENTIAL PRESSURE (bar) | | | | | | | | | | | | | | |
| | | 0,2 | 0,3 | 0,5 | 1 | 1,5 | 2 | 3 | 4 | 6 | 8 | 10 | 13 | 15 | 20 | 22 |
| TH32i | 1/2" to 1" DN 15 to 25 | 70 | 120 | 140 | 255 | 330 | 385 | 455 | 510 | 600 | 670 | 700 | 720 | 750 | 775 | 795 |
| TH32iLC | 1/2" to 1" DN 15 to 25 | 45 | 55 | 70 | 95 | 125 | 135 | 180 | 200 | 270 | 315 | 330 | 360 | 370 | 405 | 415 |

Capacities shown refer to condensate at 10 °C below saturated steam temperature (standard type S thermostat).
Thermostats for 5 °C (type H) and 30 °C (type L) also available. Capacities for cold condensate discharge at 20 °C are two to three times greater.



| DIMENSIONS (mm) | | | | | | | | | | | |
|-----------------|---------------|----|----|----|-------------|-------|-------------|-----------|-------------|-----------|-------------|
| SIZE | THREADED / SW | | | | | PN 40 | | CLASS 150 | | CLASS 300 | |
| | A | B | C | D | WEIGHT (kg) | E | WEIGHT (kg) | E | WEIGHT (kg) | E | WEIGHT (kg) |
| 1/2" – DN 15 | 95 | 59 | 95 | 65 | 1,6 | 150 | 3,2 | 150 | 2,7 | 150 | 3,5 |
| 3/4" – DN 20 | 95 | 59 | 95 | 65 | 1,6 | 150 | 3,9 | 150 | 3,1 | 150 | 4,7 |
| 1" – DN 25 | 95 | 65 | 95 | 65 | 1,8 | 160 | 4,7 | 160 | 4,3 | 160 | 5,9 |

| MATERIALS | | |
|-----------|------------------------|----------------------------|
| POS. N° | DESIGNATION | MATERIAL |
| 1 | Body | AISI 316L / 1.4404 |
| 2 | Cover | AISI 316L / 1.4404 |
| 3 | * Gasket | Stainless steel / Graphite |
| 4 | * Valve seat | AISI 304 / 1.4301 |
| 5 | * Thermostatic element | Stainless steel |
| 6 | * Strainer screen | AISI 304 / 1.4301 |
| 7 | * Gasket | Stainless steel / Graphite |
| 8 | * Strainer cover | AISI 303 / 1.4305 |
| 9 | Bolts | Stainless steel A2-70 |

* Available spare parts.

