

## THERMOSTATIC STEAM TRAPS AND AIR VENTS TH21

### DESCRIPTION

The TH21 series thermostatic steam traps and air vents are specifically designed for use on process equipment such as kettle cookers, sterilizers, food, chemical and laundry equipment.

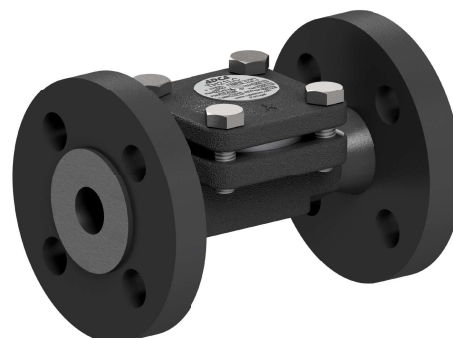
### MAIN FEATURES

- Modulating discharge.
- Discharges condensate close to steam temperature.
- Thermostats for different sub cooling (5 °C to 30 °C).
- Excellent air discharge.
- Operates on moderate superheated steam.
- Built-in strainer.

USE: Saturated steam.  
 AVAILABLE MODELS: TH21 – carbon steel.  
 TH21LC – carbon steel, low capacity.

SIZES: 1/2"; DN 15.

CONNECTIONS: Female threaded ISO 7 Rp or NPT.  
 Flanged EN 1092-1 PN 25.  
 Flanged ASME B16.5 Class 150.  
 Socket weld (SW) ASME 16.11.  
 Butt weld (BW) ASME B16.25 on request.



BODY LIMITING CONDITIONS		
FLANGED PN 25 *	FLANGED CLASS 150 **	RELATED TEMPERATURE
ALLOWABLE PRESSURE	ALLOWABLE PRESSURE	
23,2 bar	15,4 bar	100 °C
20,8 bar	13,8 bar	200 °C
19 bar	12,1 bar	250 °C

PMO – Max. operating pressure: 21 bar.

TMO – Max. operating temperature: 250 °C.

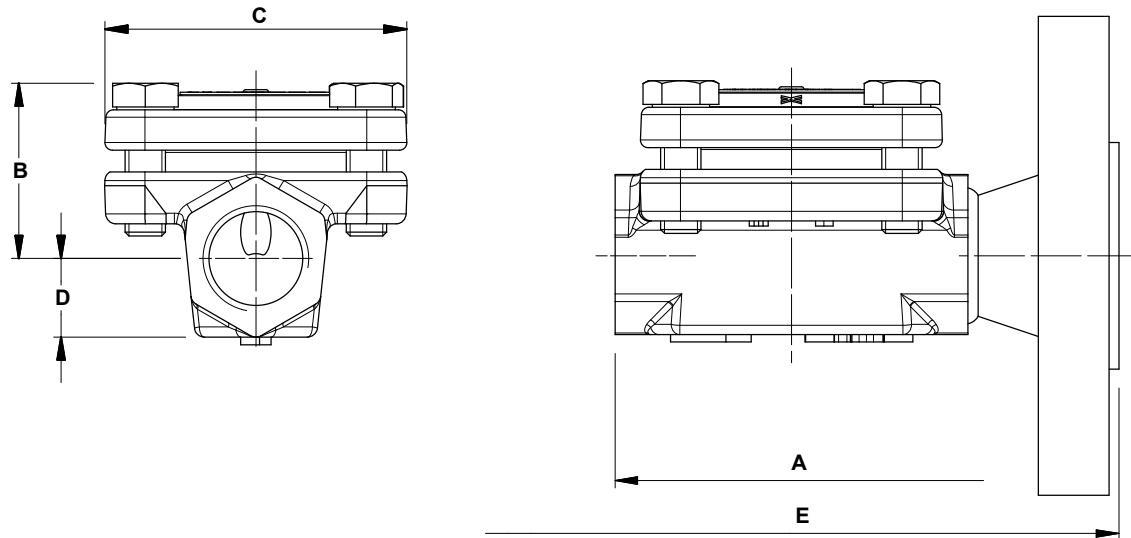
\* Acc. to EN 1092-1:2018; \*\* Acc. to EN 1759-1:2004.

Body limiting conditions PN 25 or below, depending on the type of connection adopted. Rating PN 25 for threaded version.

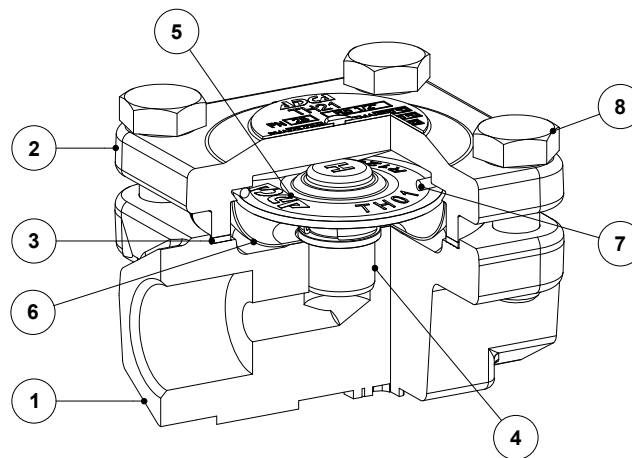
FLOW RATE CAPACITY (kg/h)																
MODEL	SIZE	DIFFERENTIAL PRESSURE (bar)														
		0,2	0,3	0,5	1	1,5	2	3	4	6	8	10	13	15	20	21
TH21	1/2" – DN 15	70	120	140	255	330	385	455	510	600	670	700	720	750	775	795
TH21LC	1/2" – DN 15	45	55	70	95	125	135	180	200	270	315	330	360	370	405	415

Capacities shown refer to condensate at 10 °C below saturated steam temperature (standard type S thermostat).

Thermostats for 5 °C (type H) and 30 °C (type L) also available. Capacities for cold condensate discharge at 20 °C are two to three times greater.



DIMENSIONS (mm)									
SIZE	THREADED					PN 25		CLASS 150	
	A	B	C	D	WEIGHT (kg)	E	WEIGHT (kg)	E	WEIGHT (kg)
1/2"	70	35	60	15	0,7	130	2,2	150	1,7



MATERIALS		
POS. N°	DESIGNATION	MATERIAL
1	Body	P250GH / 1.0460
2	Cover	P250GH / 1.0460
3	* Gasket	Stainless steel / Graphite
4	Valve seat	AISI 304 / 1.4301
5	* Thermostatic element	Stainless steel
6	* Strainer screen	AISI 304 / 1.4301
7	* Spring	AISI 302 / 1.4300
8	Bolts	Steel 8.8

\* Available spare parts.