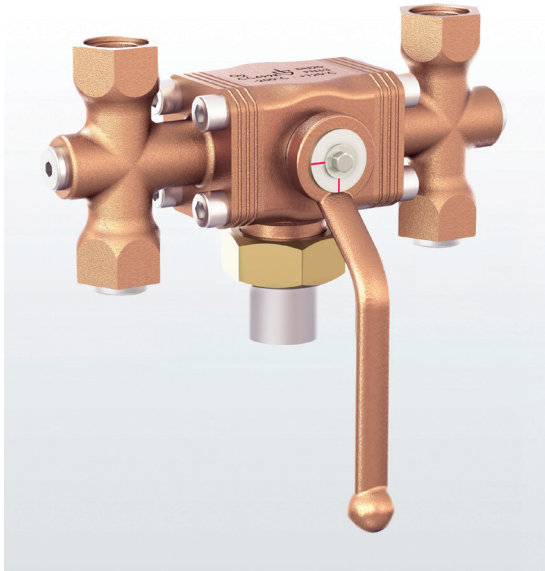


→ Series 2781



■ SUITABLE FOR

Liquids	neutral and non-neutral	
Air, gases and vapours	neutral and non-neutral	

■ EXAMPLES OF USE

Diverter ball valve for the installation of for example two safety valves in combination with bursting discs for the protection of containers designed for the storage of cryogenic gases. The requirements of the PED relating to redundant or diverse safety devices are fulfilled by this fitting in combination with safety valves of the 2400 / 2480 series. On each side two additional connections for bursting discs are available. In case the safety valves need to be maintained or the bursting discs replaced, the side requiring maintenance can be shut off.

- For the storage of cryogenic liquified gases, such as LIN, LOX, LAr, CO<sub>2</sub>, LNG.
- N<sub>2</sub> in pharmaceutical / foodstuffs applications
- O<sub>2</sub> for medical supply equipment
- CO<sub>2</sub> for foodstuffs/ industrial applications
- LAr for welding
- Cooling plants

**The ball-valves are oil- and grease-free as standard.**



■ MATERIAL



■ SPECIFICATION



DN 25



- 200°C to + 120°C



PN 63

■ APPROVALS

Requirements

AD 2000 Data sheet A2  
PED 2014/68/EU

■ POSSIBLE MATERIAL COMBINATIONS

Material Combination	Body	Internal parts	Primary Seal	Secondary Seal
M7541	CC499K	1.4404	PTFE mod.	PTFE

Series 2781 ■ BALL VERSION

<b>B01</b>	L-Bore
<b>B02</b>	T-Bore

■ MEDIUM

<b>GF</b>	gaseous and liquid	Cryogenic liquified gases, vapours and liquids
-----------	--------------------	--

■ MEANS OF OPERATION

<b>A01</b>	Cranked handle made of gunmetal
------------	---------------------------------

■ AVAILABLE NOMINAL DIAMETERS AND CONNECTION SIZES

Nominal diameter DN		20
Inlet		Rohr DN 25 (M40x2)
Outlet	1/2" (15)	■
	3/4" (20)	■
	1/2" (15) -3/4" (20)	■
	1/2" NPT (15)	■
	1/2" NPT (15) -3/4" NPT (20)	■

■ TYPE OF CONNECTION INLET / OUTLET THREADED CONNECTIONS

<b>m / f</b>	Standard	M40x2 - Pipe connection / Female thread BSP-P	- / DIN EN ISO 228-1
<b>m / NPT-f</b>		M40x2 - Pipe connection / Female thread NPT-f	- / ANSI 1.20.1

■ SCREW OPTIONS

<b>VSAS 10</b>	Screw fitting with butt weld end	Pipe 33,4x2,77	ASTM A312 S10
<b>VSAS 40</b>	Screw fitting with butt weld end	Pipe 33,4x3,38	ASTM A312 S40
<b>VSISO</b>	Screw fitting with butt weld end	Pipe 26,9x2	ISO 1127
<b>VSDIN</b>	Screw fitting with butt weld end	Pipe 28x1,5	DIN 12449
<b>VLISO</b>	Screw fitting with solder nipple	Pipe 26,9x2	ISO 1127
<b>VLDIN</b>	Screw fitting with solder nipple	Pipe 28x1,5	DIN 12449
<b>VLAS10</b>	Screw fitting with solder nipple	Pipe 33,4x2,77	ASTM A312 S10
<b>VLAS40</b>	Screw fitting with solder nipple	Pipe 33,4x3,38	ASTM A312 S40

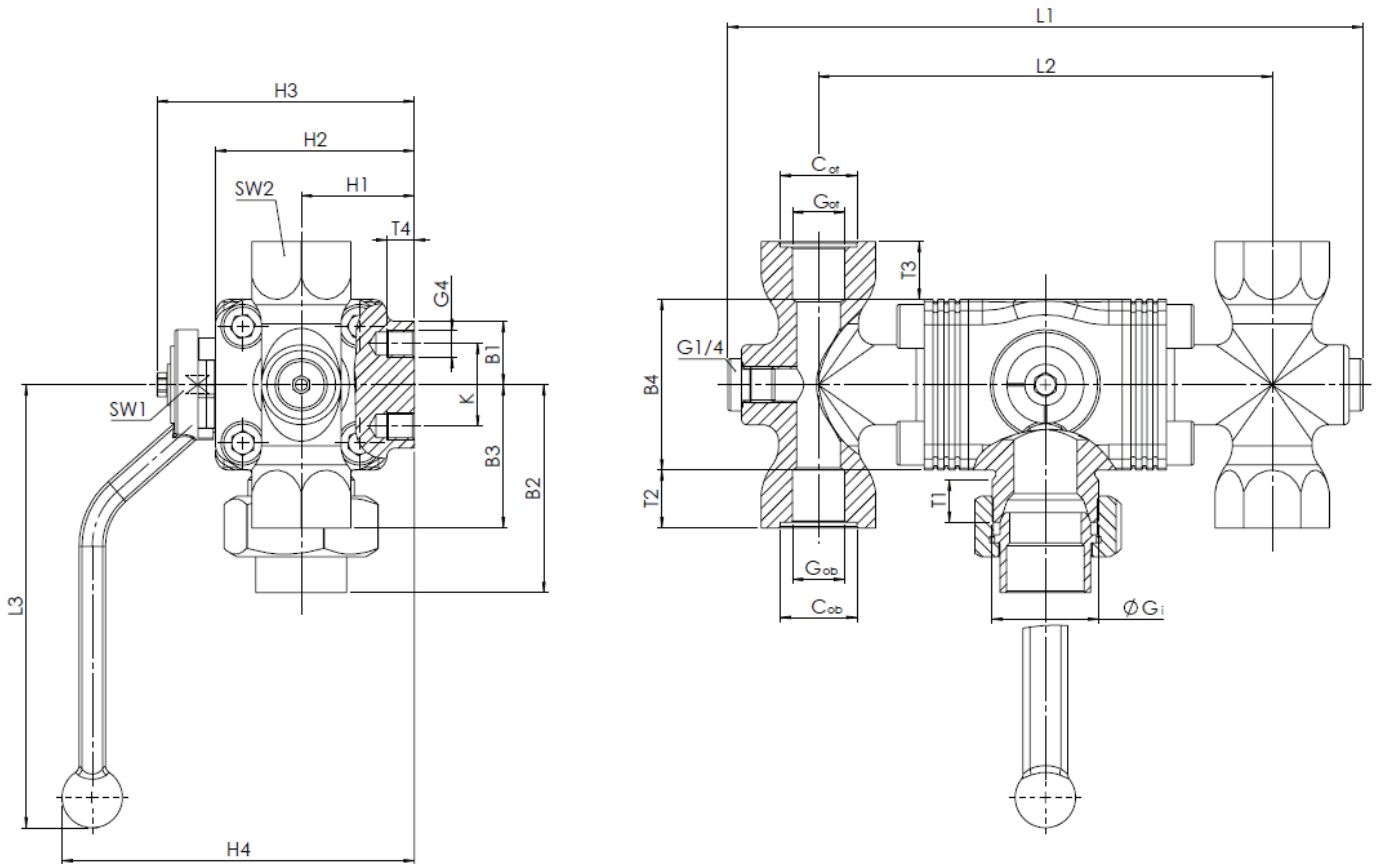
All options (screw fittings) include a union nut M40x2.

■ NOMINAL DIAMETERS, CONNECTIONS, INSTALLATION DIMENSIONS

Series 2781: Connection, installation dimensions						
Nominal diameter	DN	20	20	20	20	20
Connection DIN EN ISO 228	Gi	M40x2 (25)	M40x2 (25)	M40x2 (25)	M40x2 (25)	M40x2 (25)
Outlet DIN EN ISO 228	Got / Gob	1/2" (15)	3/4" (20)	1/2"-3/4" (15/20)	1/2" NPT (15)	1/2" NPT-3/4" NPT (15/20)
Installation dimensions in mm	Cot	28	-	33	-	-
	Cob	28	-	28	-	-
	T1	15	15	15	15	15
	T2/T3	21	21	21	21	21
	H1	41	41	41	41	41
	H2	72	72	72	72	72
	H3	94	94	94	94	94
	H4	128	128	128	128	128
	B1	23	23	23	23	23
	B2 <sup>1</sup>	91	91	91	91	91
	B3	52	52	52	52	52
	B4	62	62	62	62	62
	L1	231	231	231	231	231
	L2	165	165	165	165	165
	L3	161	161	161	161	161
	SW1	9	9	9	9	9
	SW2	36	36	36	36	36
K	30	30	30	30	30	
G4	M10	M10	M10	M10	M10	
T4	10	10	10	10	10	
Test port	G1/4	1/4"	1/4"	1/4"	1/4"	1/4"
Weight	kg	4,6	4,4	4,4	4,6	4,4
Kvs-value	m <sup>3</sup> /h	6,9	12,2	6,9/12,2	6,9	6,9/12,2

<sup>1</sup>B2 is equivalent to option VSAS 10. Other dimensions on request.

■ MAIN DIMENSIONS, INSTALLATION DIMENSIONS



Series 2781 ■ INDIVIDUAL SELECTION / VALVE CONFIGURATION

Series	Ball Version	Medium	Operation	Nominal diameter DN	Connection type		Connection size		Material Combination	Options
					Inlet	Outlet	Inlet	Outlet		
2781	B02	GF	A01	20	VSAS10	f	25	20	M7541	
2781		GF	A01						M7541	
2781		GF	A01						M7541	
2781		GF	A01						M7541	

■ TECHNICAL FINISHES, VARIANTS, ACCESSORIES

S75	fitted with lateral overflow valve DN10 to prevent the activation of the safety valves	<input type="checkbox"/>
S76	fitted with lateral overflow valve DN15 to prevent the activation of the safety valves	<input type="checkbox"/>
		<input type="checkbox"/>

■ CERTIFICATES / APPROVALS

C01	Factory certificate acc. DIN EN 10204 2.2 (WKZ 2.2)	<input type="checkbox"/>	C05	Sealing material Manufacturer certification (FDA, USP 3, 3-A,...), Please indicate description of certificate: .....	<input type="checkbox"/>
C02	Test certificate acc. DIN EN 10204 3.1 (WPZ 3.1)	<input type="checkbox"/>	C06	ATEX evaluation acc. to 2014/34/EU	<input type="checkbox"/>
C03	Material test certificate acc. DIN EN 10204 3.1 (MPZ 3.1) (pressure retaining part)	<input type="checkbox"/>	C10	Certificate of oil- and grease free production	<input type="checkbox"/>

■ ADMISSIONS / ACCREDITATIONS

AA1	EC Type examination acc. to Directive 2014/68/EU	<input type="checkbox"/>	AL	Individual inspection by notified body inspector – (body to be indicated): .....	<input type="checkbox"/>
		<input type="checkbox"/>			<input type="checkbox"/>
		<input type="checkbox"/>			<input type="checkbox"/>

■ ENQUIRY

Copy and send to: [order@goetze-armaturen.de](mailto:order@goetze-armaturen.de).

Order form easily to be found online under the section for each series.