

→ Series 681



■ MATERIAL



■ SPECIFICATION



1/2" – 2"



-20°C to + 120°C



Inlet pressure:
up to 40 bar
Outlet pressure:
0,5 to 15 bar
depending on version

■ SUITABLE FOR

Liquids	neutral and non-neutral	
Air, gases and vapours	neutral and non-neutral	
Potable water cold	up to 40°C	
Potable water hot	up to 85°C	

■ EXAMPLES OF USE

- For the protection of:
- domestic water supply systems
 - commercial and industrial plants
- against too high supply pressure. Pressure reducers are used, if within a piping system despite of varying pressures on the inlet side a certain pressure must not be exceeded on the outlet side.
- potable water supply according to DIN 1988
 - process water supply in industrial-and building technology
 - snow-making equipment
 - fire-fighting equipment and sprinkler systems
 - shipbuilding industry and offshore plants

■ APPROVALS

DIN-DVGW type examination (up to 80°C)	
Type approval ACS	
Type approval WRAS (up to 85°C)	
TR ZU 032/2013 - TR ZU 010/2011	
Requirements	
DIN DVGW guidelines	DIN EN ISO 3822
DIN EN 1567	DGR 2014/68/EU
DIN 1988	
Classification society	
DNVGL	DNVGL
Lloyd's Register EMEA	LR EMEA
American Bureau of Shipping	ABS
Bureau Veritas	BV
Russian Maritime Register of Shipping	RMRS
Registro Italiano Navale	RINA

■ MATERIALS

Component	Material	DIN EN	ASME
Inlet body	Gunmetal	CC499K	CC499K
Outlet body	Gunmetal	CC499K	CC499K
Internal parts	Gunmetal	CC499K	CC499K
	Stainless Steel	1.4404	316 L
Spring	Spring steel with anti-rust protection	1.1200	ASTM A228
Strainer	Stainless Steel	1.4404	316 L

m	with diaphragm	High-quality, heat-resistant moulded elastomere, fabric-reinforced diaphragm. Adjustment by means of non-rising spindle. Insert with balanced single seat valve made of gunmetal.
----------	----------------	---

Complete valve insert SP/HP (order code: 681 Insert-DN..-seal) available as replacement part can be exchanged without removing the valve.

Complete valve insert LP (order code: 681 LP Insert-DN..-seal) available as replacement part can be exchanged without removing the valve.

Built-in dirt trap made of stainless steel.

Mesh size:	DN 15 to DN 32	0,60 mm
	DN 40 and DN 50	0,75 mm

■ MEDIUM

GF	gaseous and liquid	for water, neutral and non-sticking liquids, compressed air and neutral gases; optionally with FPM elastomere seals for non-neutral media i.e. oils, fuels, oil-laden compressed air, etc. Not suitable with steam.
-----------	--------------------	---

■ TYPE OF LIFTING MECHANISM

0	without lifting device
----------	------------------------

■ OUTLET PRESSURE RANGES

SP	Standard version	Inlet pressure: up to 40 bar	Outlet pressure: from 1 to 8 bar
HP	High-pressure version	Inlet pressure: up to 40 bar	Outlet pressure: from 5 to 15 bar
LP	Low-pressure version	Inlet pressure: up to 25 bar	Outlet pressure: from 0,5 to 2 bar

■ AVAILABLE NOMINAL DIAMETERS AND CONNECTION SIZES

Nominal diameter DN	15	20	25	32	40	50
Inlet	1/2" (15)	3/4" (20)	1" (25)	1 1/4" (32)	1 1/2" (40)	2" (50)
Outlet	1/2" (15)	3/4" (20)	1" (25)	1 1/4" (32)	1 1/2" (40)	2" (50)

■ TYPE OF CONNECTION INLET / OUTLET THREADED CONNECTIONS

BSP-Tm / BSP-Tm	Standard threaded connections	Male thread BSP-T / Male thread BSP-T	DIN EN 10226, ISO 7-1 / DIN EN 10226, ISO 7-1
f / f	Version with female thread available in sizes DN15, DN20 and DN25	Female thread BSP-P / Female thread BSP-P	DIN EN ISO 228-1 / DIN EN ISO 228-1

■ SEALS

EPDM	Ethylene propylene diene	Elastomere moulded diaphragm and seals approvals according to drinking water directive	-20°C to +120°C (up to 8 bar outlet pressure) -20°C to +95°C (from 8 bar outlet pressure)
FKM	Fluorocarbon	Elastomere moulded diaphragm and seals	-10°C to +120°C (up to 8 bar outlet pressure) -10°C to +95°C (from 8 bar outlet pressure)

■ NOMINAL DIAMETERS, CONNECTIONS, INSTALLATION DIMENSIONS

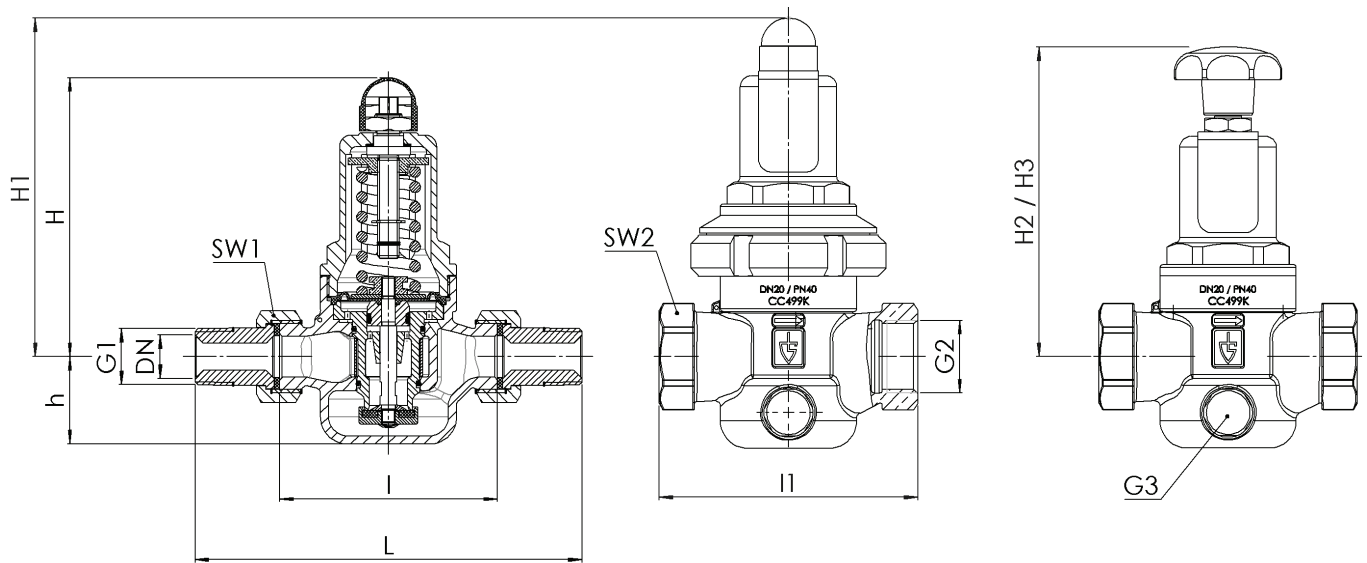
Series 681: Connection, installation dimensions, ranges of adjustment							
Connection	DN	15	20	25	32	40	50
Inlet DIN EN 10226	G1	1/2"	3/4"	1"	1 1/4"	1 1/2"	2"
Outlet DIN EN 10226	G2	1/2"	3/4"	1"			
Inlet pressure SP, HP up to	bar	40	40	40	40	40	40
Inlet pressure LP up to	bar	25	25	25	25	25	25
Outlet pressure	bar	0,5 - 2	0,5 - 2	0,5 - 2	0,5 - 2	0,5 - 2	0,5 - 2
		1 - 8	1 - 8	1 - 8	1 - 8	1 - 8	1 - 8
		5 - 15	5 - 15	5 - 15	5 - 15	5 - 15	5 - 15
Installation dimensions in mm	L	142	158	180	193	226	252
	I	80	90	100	105	130	140
	I1	85	95	105			
	H (H1)	102 (128 ¹)	102 (128 ¹)	130 (150 ¹)	130 (150 ¹)	165 (185 ¹)	165 (185 ¹)
	H2 (H3)	124 (150 ²)	124 (150 ²)	161 (181 ²)	161 (181 ²)	198 (218 ²)	198 (218 ²)
	h	33	33	45	45	70	70
	SW1	30	37	46	52	65	75
	SW2	28	35	43			
Pressure gauge connection	G3	1/4" axial	1/4" axial	1/4" axial	1/4" axial	1/4" axial	1/4" axial
Weight	kg	1,2 (1,5 ¹)	1,3 (1,6 ¹)	2,4 (2,9 ¹)	2,6 (3,1 ¹)	5,5 (6,2 ¹)	6,0 (6,7 ¹)
Coefficient of flow K_{vs} ³	m ³ /h	3	3,5	6,7	7,6	12,5	15

¹for type 681mGFO-LP

²for type 681mGFO-LP S15

³The K_{vs} value was determined according to DIN EN 60534-2-3. Instructions on how to determine size and capacity are to be found under section 2.

■ MAIN DIMENSIONS, INSTALLATION DIMENSIONS



Series	Valve version	Medium	Lifting device	Outlet pressure	Nominal diameter DN	Connection type		Connection size		Seal	Options	Optional: fixed setting	Quantity
						Inlet	Outlet	Inlet	Outlet				
681	m	GF	0	SP	20	BSP-Tm	BSP-Tm	20	20	EPDM	Manometer 36		8
681	m	GF	0	SP	15	f	f	15	15	EPDM			4
681	m	GF	0										
681	m	GF	0										

■ PROPERTIES

S15	Hand wheel (plastic) for tool-free setting of setpressure ¹	<input type="checkbox"/>	<input type="checkbox"/>
S17	Supply with manometers suitable for the valve finish	<input type="checkbox"/>	<input type="checkbox"/>
S71	Preliminary setup for protection against manipulation of the preset pressure (seal)	<input type="checkbox"/>	<input type="checkbox"/>

¹For nominal diameters DN15 to DN50 outlet pressure ranges LP and SP

■ OPTIONS

GOX	Especially for gaseous O2 applications by employment of specific materials including oil- and grease free production process	<input type="checkbox"/>	P03	Galvanically nickel-plated finish	<input type="checkbox"/>
P01	Oil- and grease-free production	<input type="checkbox"/>	FE	Setting and sealing	<input type="checkbox"/>
P02	Chemically nickel-plated finish	<input type="checkbox"/>			<input type="checkbox"/>

■ CERTIFICATES / APPROVALS

C01	Factory certificate acc. DIN EN 10204 2.2 (WKZ 2.2)	<input type="checkbox"/>	C05	Sealing material Manufacturer certification (FDA, USP 3, 3-A,...), Please indicate description of certificate:	<input type="checkbox"/>
C02	Test certificate acc. DIN EN 10204 3.1 (WPZ 3.1)	<input type="checkbox"/>	C06	ATEX evaluation acc. to 2014/34/EU	<input type="checkbox"/>
C03	Material test certificate acc. DIN EN 10204 3.1 (MPZ 3.1) (pressure retaining part)	<input type="checkbox"/>	C10	Certificate of oil- and grease free production	<input type="checkbox"/>
C04	TÜV/DEKRA individual inspection acc. EN 10204 3.2 (TÜV/DEKRA-APZ)	<input type="checkbox"/>	C11	Certification of the production process especially for gaseous oxygen applications by employment of specific materials	<input type="checkbox"/>

■ ADMISSIONS / ACCREDITATIONS

AA1	EC Type examination acc. to Directive 2014/68/EU	<input checked="" type="checkbox"/>	AK1	DNV-GL (DNVGL) type approval	<input type="checkbox"/>
AA4	EAC - certificate/declaration with passport for the valve and laser marking of the valve	<input type="checkbox"/>	AK2	Lloyd's Register (LR) type approval	<input type="checkbox"/>
AB1	Deutscher Verein des Gas- und Wasserfaches, DVGW type approval	<input type="checkbox"/>	AK3	American Bureau of Shipping (ABS) type approval	<input type="checkbox"/>
AB2	Water regulations and advisory scheme WRAS type approval	<input type="checkbox"/>	AK4	Bureau Veritas (BV) type approval	<input type="checkbox"/>
AB3	Attestation de Conformité Sanitaire, ACS type approval	<input type="checkbox"/>	AK5	Russian Maritime Register of Shipping (RMRS) type approval	<input type="checkbox"/>
AB4	Stiftelsen for industriell og teknisk forskning, SINTEF type approval	<input type="checkbox"/>	AK6	Registro Italiano Navale (RINA) type approval	<input type="checkbox"/>
		<input type="checkbox"/>	AL	Individual inspection by notified body inspector – (body to be indicated):	<input type="checkbox"/>

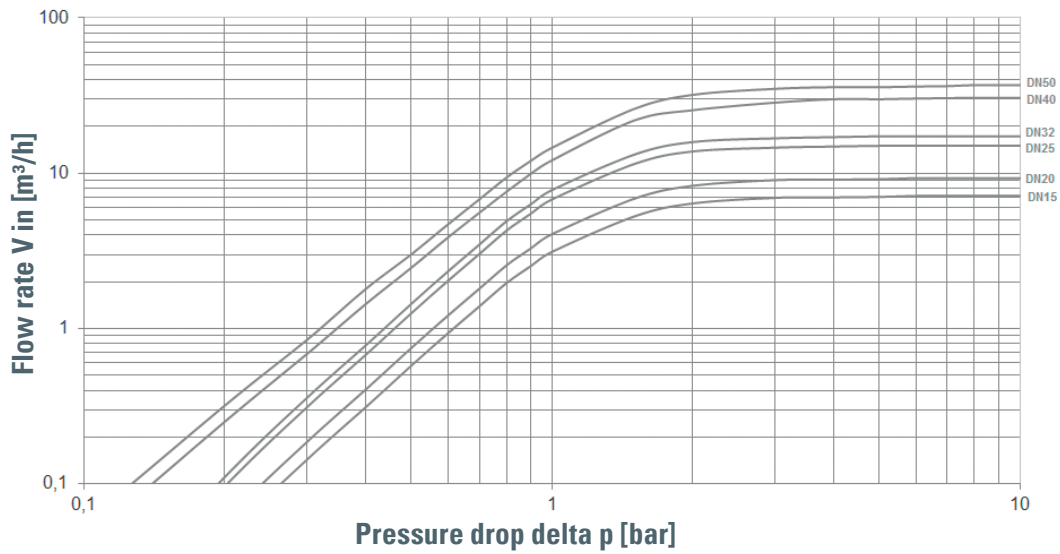
■ ENQUIRY

Copy and send to: order@goetze-armaturen.de.

Order form easily to be found online under the section for each series.

Dimensioning by pressure loss on the outlet pressure side

Flow chart water



Dimensioning by flow velocity

For liquids:

With help of the chart you can determine the nominal diameter (DN) for a given flow volume V (m³/h). According to DVGW-guidelines (DIN 1988) a flow velocity of 2 m/s in domestic water supply systems should not be exceeded.

For compressed air and other gaseous media:

The usual flow velocity for compressed air is 10 - 20 m/s. For gaseous media the flow volume V should always be shown in actual cubic meters/hour. If the flow volume is given in standard cubic meters, these should be converted into actual cubic meters before using the diagram.

$$V(\text{m}^3/\text{h}) = \frac{V_{\text{Norm}} (\text{Nm}^3/\text{h})}{p_{\text{absolut}} (\text{bar})} = \frac{V_{\text{Norm}}}{p_{\text{U}} + 1}$$

Actual cubic meters are based on the prevailing pressure of the medium on the outlet side of the pressure reducer.

